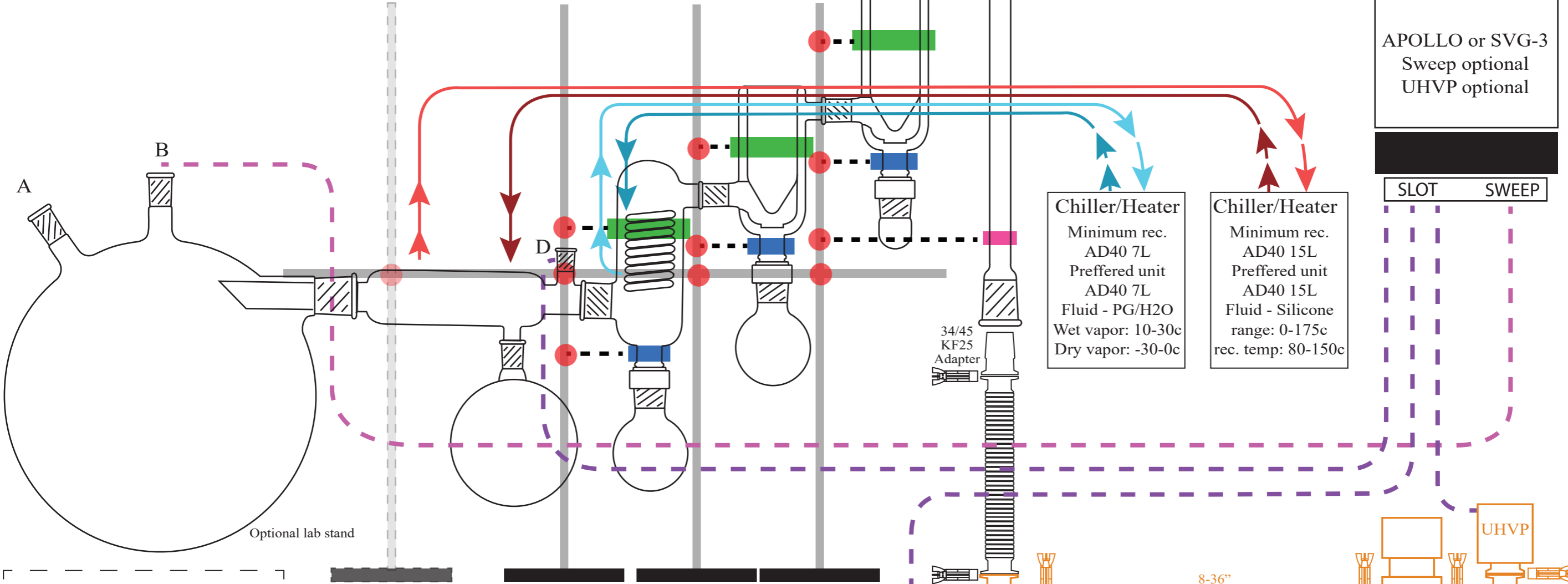
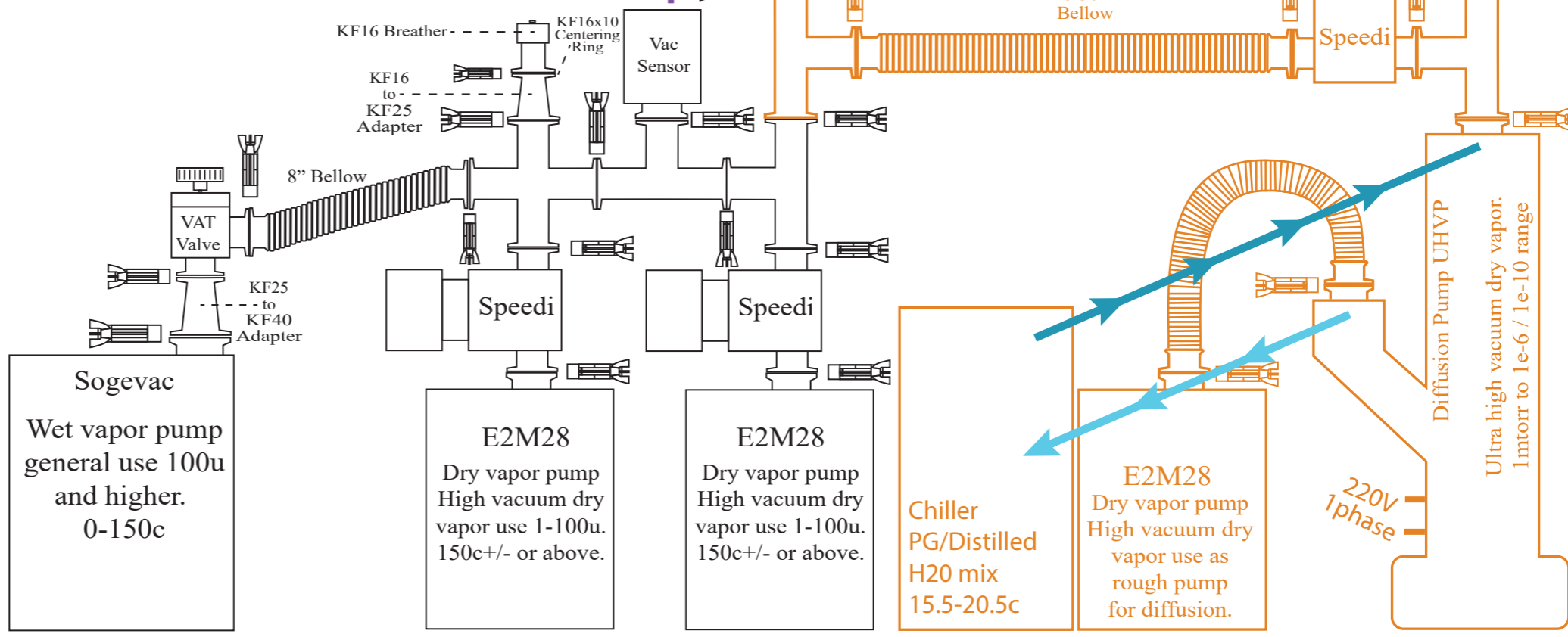


SPD-7 USPD 22 liter dual inverted cup trap

Dual E2M28 + Sogevac + Diffusion



- Image key + required supports
warranty void if not supported properly
- Clamp + o-ring
 - Cork Clamp
 - XL Fork Clamp
 - Chain Clamp
 - A** Thermometer adapter or thermowell
 - B** 24/40 Stopper or Apollo sweep valve
 - D** Vacuum sensor port 24/40 Stopper or 24/40 x KF25 adapter or 24/40 x GL14 adapter
 - Required cross clamp
 - Required stand base
 - Required lab rods
 - Optional diffusion setup



Chiller/Heater
 Minimum rec. AD40 7L
 Preferred unit AD40 7L
 Fluid - PG/H2O
 Wet vapor: 10-30c
 Dry vapor: -30-0c

Chiller/Heater
 Minimum rec. AD40 15L
 Preferred unit AD40 15L
 Fluid - Silicone
 range: 0-175c
 rec. temp: 80-150c

APOLLO or SVG-3
 Sweep optional
 UHVP optional

SLOT SWEEP

UHVP

Speedi

8-36" Bellow

KF16 Breather - - - - -
 KF16 to KF25 Adapter

Vac Sensor

8" Bellow

VAT Valve

Speedi

Speedi

Sogevac
 Wet vapor pump
 general use 100u
 and higher.
 0-150c

E2M28
 Dry vapor pump
 High vacuum dry
 vapor use 1-100u.
 150c+/- or above.

E2M28
 Dry vapor pump
 High vacuum dry
 vapor use 1-100u.
 150c+/- or above.

Chiller
 PG/Distilled
 H2O mix
 15.5-20.5c

E2M28
 Dry vapor pump
 High vacuum dry
 vapor use as
 rough pump
 for diffusion.

Diffusion Pump UHVP

Ultra high vacuum dry vapor.
 1mtorr to 1e-6 / 1e-10 range

220V
 1phase