



US00D819779S

(12) **United States Design Patent**
Kremerman

(10) **Patent No.:** **US D819,779 S**
(45) **Date of Patent:** **** Jun. 5, 2018**

- (54) **DISTILLATION CHAMBER**
- (71) Applicant: **Elliot Kremerman**, Scotts Valley, CA (US)
- (72) Inventor: **Elliot Kremerman**, Scotts Valley, CA (US)
- (**) Term: **15 Years**
- (21) Appl. No.: **29/635,745**
- (22) Filed: **Feb. 2, 2018**
- (51) **LOC (11) Cl.** **23-01**
- (52) **U.S. Cl.**
USPC **D23/207**
- (58) **Field of Classification Search**
USPC D23/207, 209; 202/81, 87, 176, 204
CPC C02F 1/04; B01D 5/0051; B01D 3/04;
B01D 3/008; B01D 3/00
See application file for complete search history.

D314,225 S	1/1991	Palmer et al.	
D316,739 S	5/1991	Erickson et al.	
D339,862 S	9/1993	Weber et al.	
5,354,428 A	10/1994	Clark et al.	
D358,448 S	5/1995	Paoli	
5,411,707 A	5/1995	Hiatt	
D412,550 S	8/1999	Bell	
D425,174 S	5/2000	Swancara	
D432,203 S	10/2000	Edwards	
D455,813 S	4/2002	Mount	
D458,340 S	6/2002	Lindahl	
6,551,464 B1	4/2003	Kimel	
D597,172 S *	7/2009	Hin	B01D 3/00 D23/207

(Continued)

Primary Examiner — Robin V Webster
(74) *Attorney, Agent, or Firm* — Michael J. Feigin, Esq.;
Feigin and Fridman

(57) **CLAIM**
The ornamental design for a distillation chamber, as shown and described.

DESCRIPTION

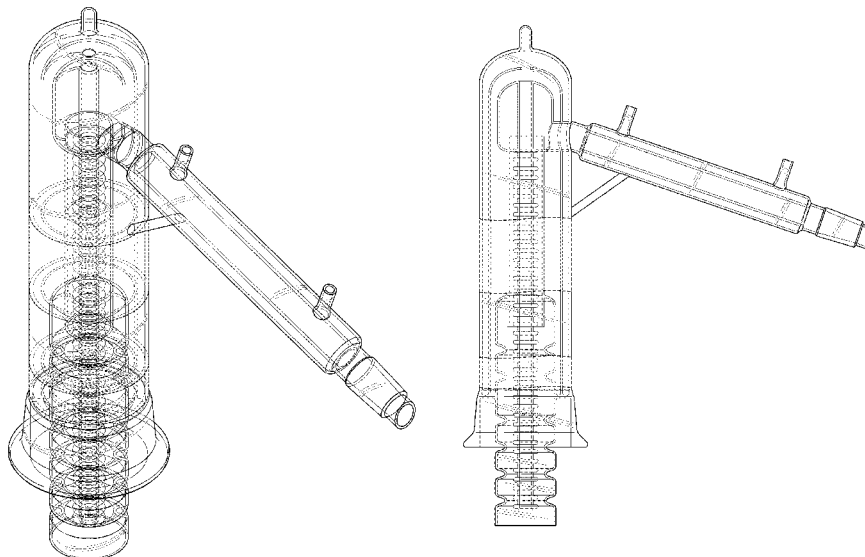
FIG. 1 shows a top and side perspective view of a distillation chamber.
 FIG. 2 shows a bottom and reverse side perspective view thereof.
 FIG. 3 shows a side view thereof the reverse side being a mirror image thereof.
 FIG. 4 shows a front view thereof.
 FIG. 5 shows a rear view thereof.
 FIG. 6 shows a top plan view thereof.
 FIG. 7 shows a bottom plan view thereof; and,
 FIG. 8 is a cross-sectional view thereof, taken along line 8-8 of FIG. 4.
 The portions within the area of the broken lines are included for the purpose of illustrating variable length of the distillation chamber and form no part of the claimed design.

1 Claim, 6 Drawing Sheets

(56) **References Cited**

U.S. PATENT DOCUMENTS

D173,603 S	12/1954	Atkinson	
3,020,215 A	2/1962	Weber	
3,271,935 A	9/1966	Smith	
3,334,025 A *	8/1967	Reid	B01D 3/00 202/161
D247,248 S	2/1978	Durot	
4,081,331 A *	3/1978	Weiss	B01D 3/00 202/181
4,089,749 A *	5/1978	Karamian	B01D 3/00 202/176
D248,485 S	7/1978	Strauss	
4,159,817 A	7/1979	Ikawa	
4,303,614 A *	12/1981	Spring	B01D 3/00 137/217
D293,128 S	12/1987	Karamian	
D293,368 S	12/1987	Karamian	
D306,338 S	2/1990	Rempe et al.	



(56)

References Cited

U.S. PATENT DOCUMENTS

D634,397 S	3/2011	Lautzenheiser et al.	
D650,885 S *	12/2011	Bridges	B01D 3/00 D23/207
D706,386 S	6/2014	Ambler et al.	
D727,460 S	4/2015	Collins et al.	
D731,615 S	6/2015	Ambler et al.	
9,138,657 B1	9/2015	Wiederin et al.	
D775,310 S	12/2016	Kremerman	
D776,238 S	1/2017	Kremerman	
D780,286 S	2/2017	Ausner	
D787,630 S	5/2017	Lipkens et al.	
D790,033 S	6/2017	Kremerman	
D802,084 S	11/2017	Kremerman	
D802,085 S	11/2017	Kremerman	
D805,599 S	12/2017	Kremerman	
D805,600 S *	12/2017	Kremerman	B01D 3/00 D23/207
D806,829 S	1/2018	Kremerman	

* cited by examiner

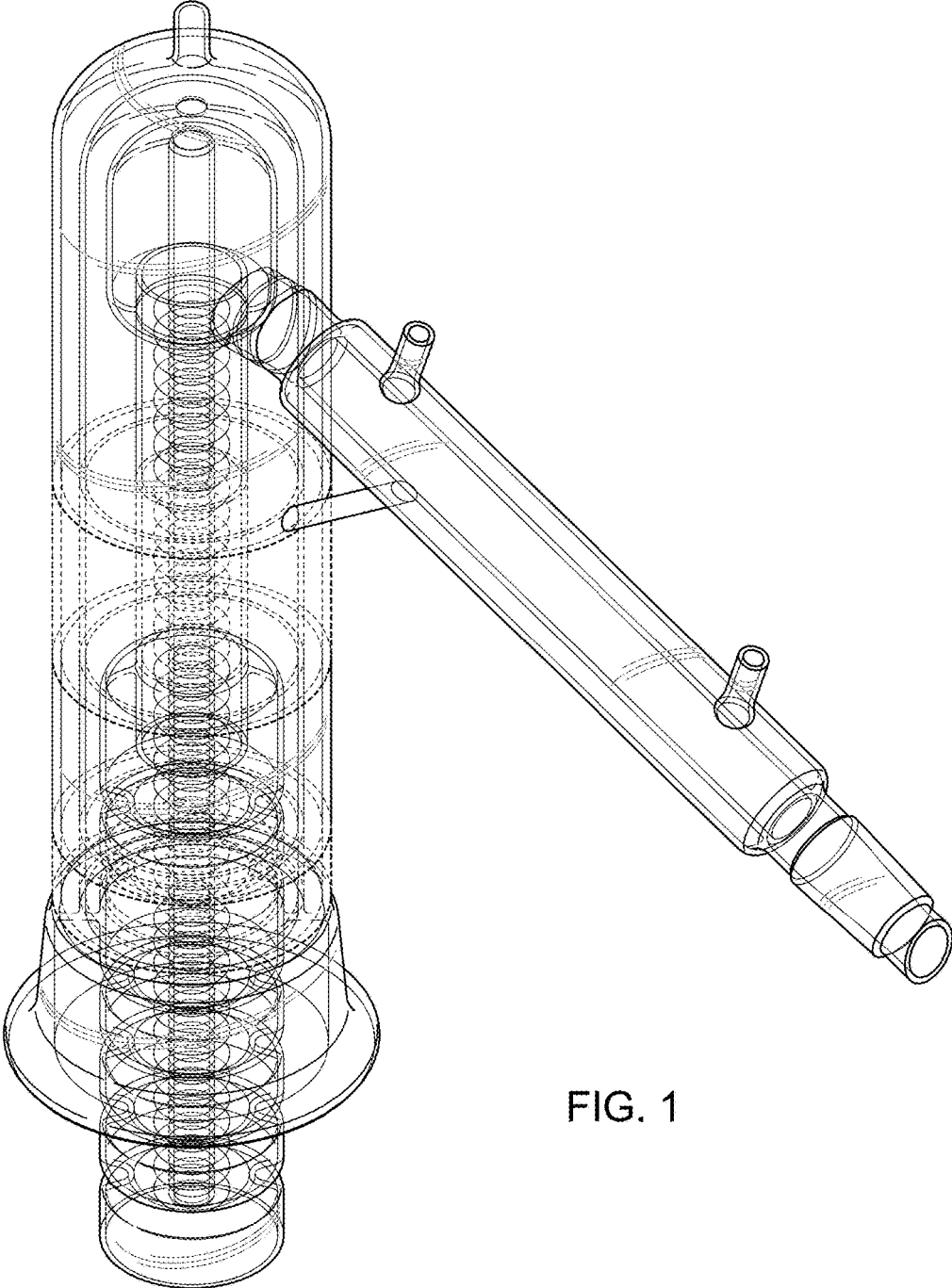


FIG. 1

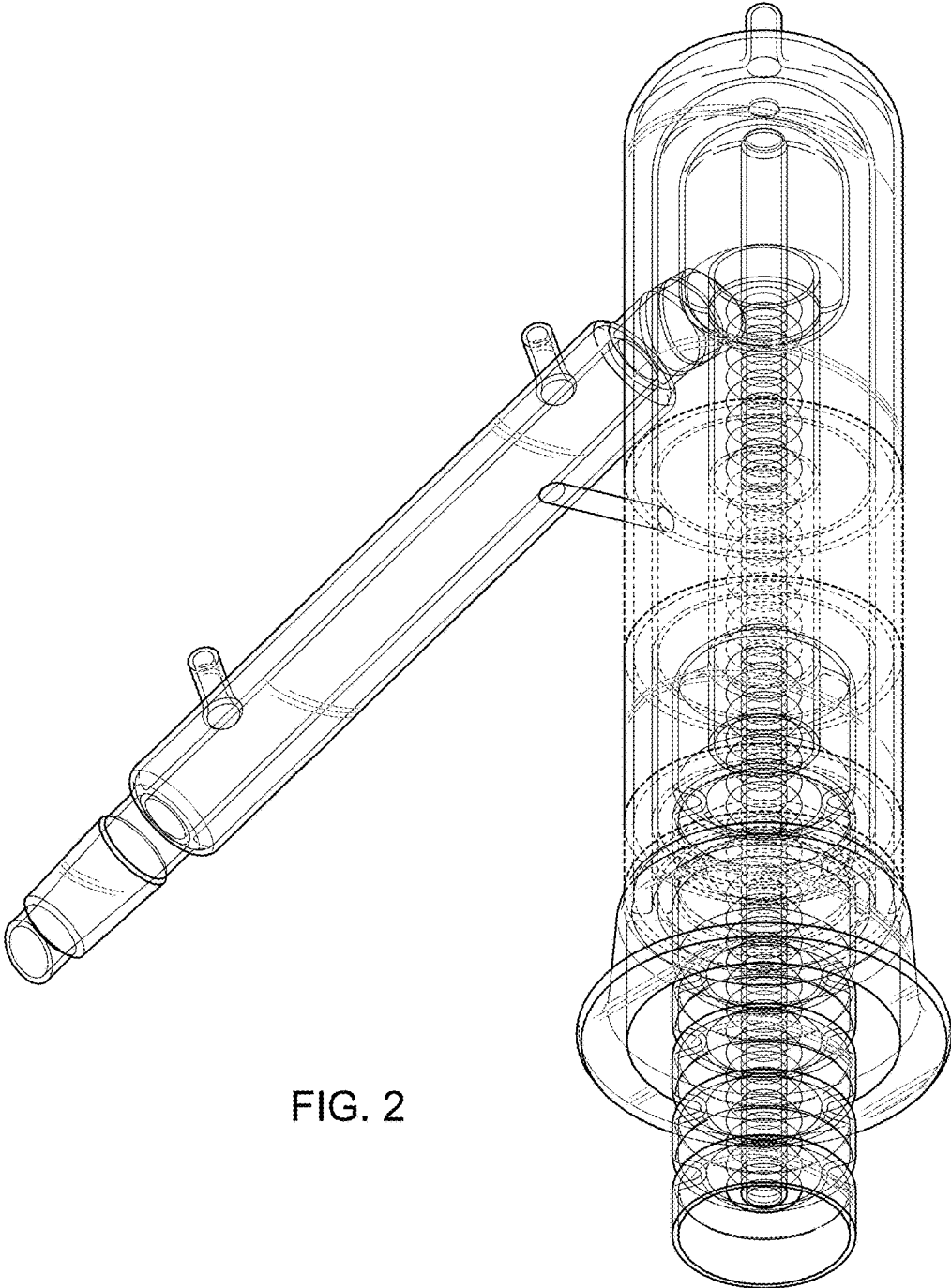


FIG. 2

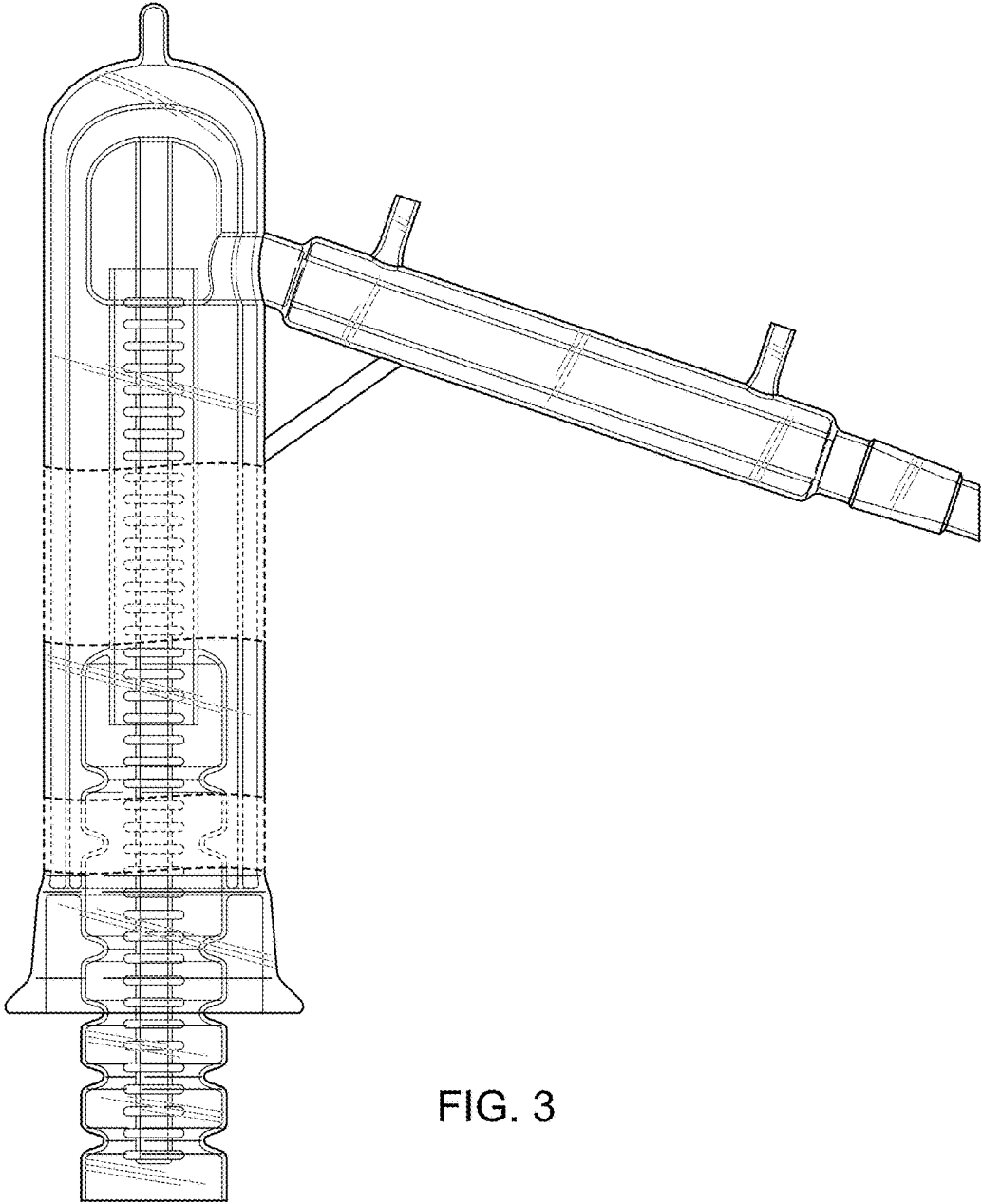


FIG. 3

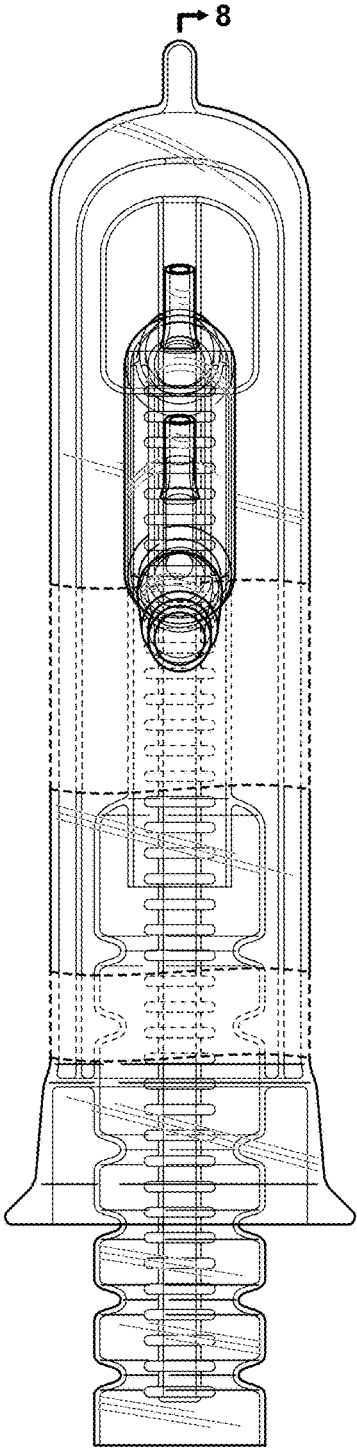


FIG. 4

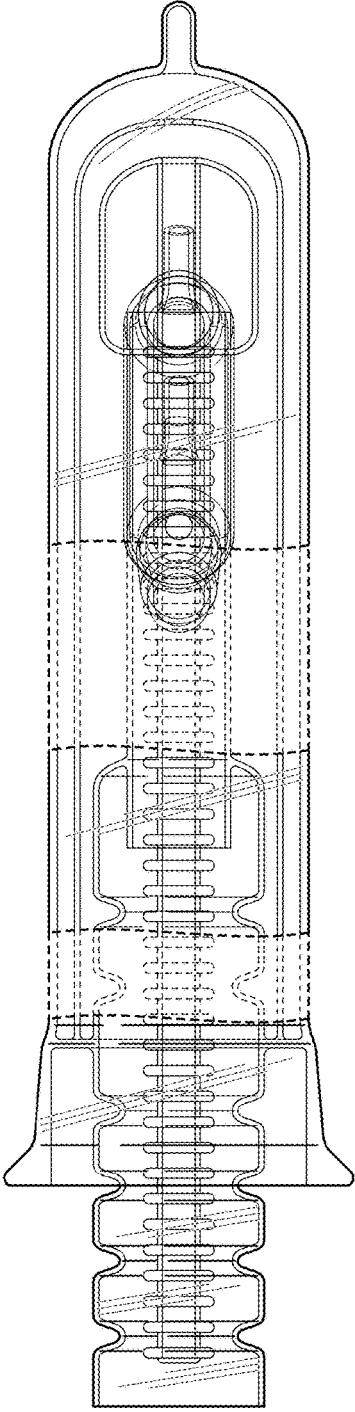


FIG. 5

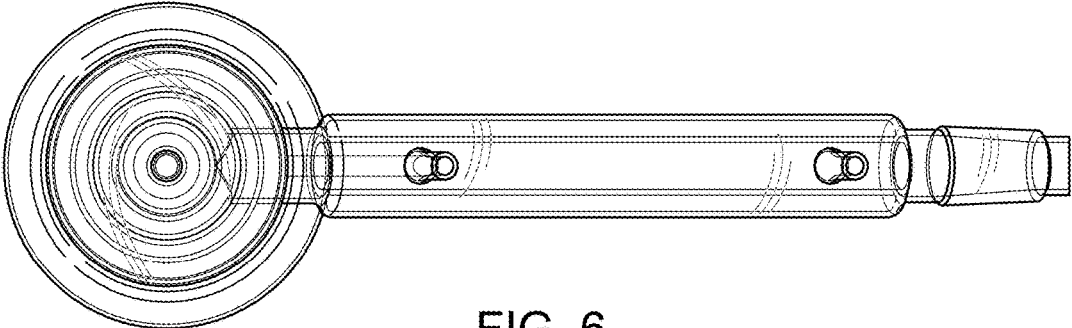


FIG. 6

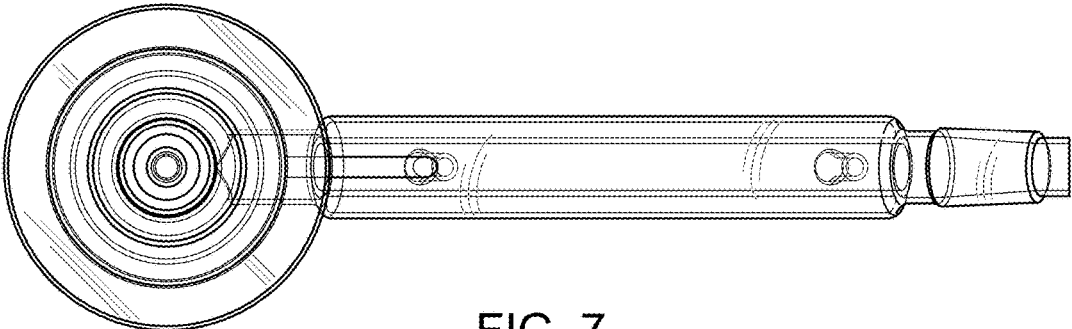


FIG. 7

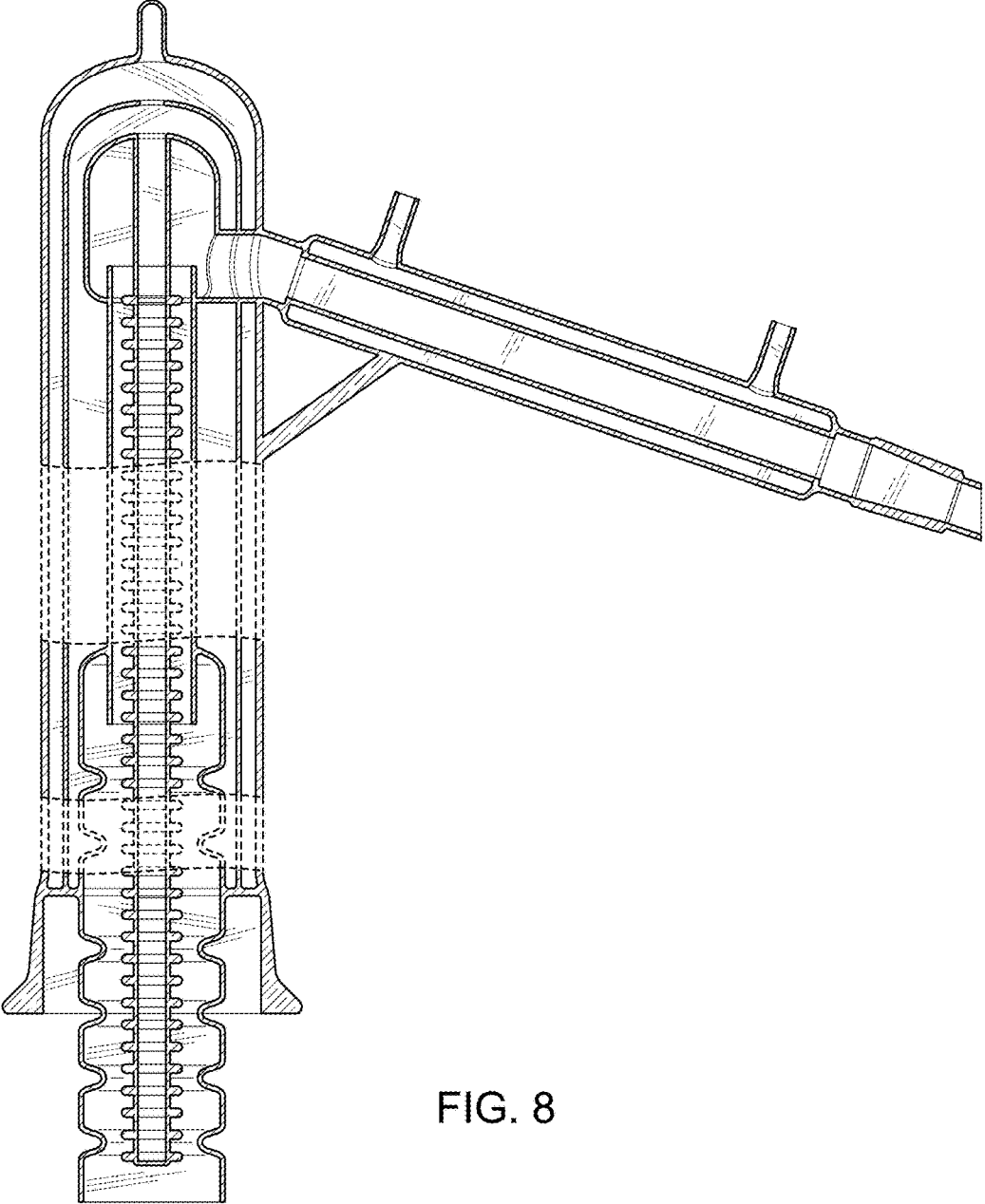


FIG. 8