



US00D788316S

(12) **United States Design Patent**
Kremerman

(10) **Patent No.:** **US D788,316 S**

(45) **Date of Patent:** **** May 30, 2017**

(54) **LABORATORY FILTER**

(71) Applicant: **Elliot Kremerman**, Soquel, CA (US)

(72) Inventor: **Elliot Kremerman**, Soquel, CA (US)

(**) Term: **15 Years**

(21) Appl. No.: **29/564,521**

(22) Filed: **May 13, 2016**

(51) **LOC (10) Cl.** **24-02**

(52) **U.S. Cl.**
USPC **D24/224**

(58) **Field of Classification Search**
USPC D24/107, 216, 224, 227-230; D23/314,
D23/365; D15/5; 210/348, 435, 455,
210/473, 374, 350, 477, 481, 482;
99/275, 279, 299
CPC A47J 31/0621; A47J 31/06; B01D 29/05;
B01D 29/03; B01L 3/502
See application file for complete search history.

5,628,902 A * 5/1997 Pytlik A47J 31/0621
210/474

6,623,634 B1 * 9/2003 Whitehurst B01D 29/05
210/186

7,025,880 B2 * 4/2006 Lamb B01D 29/03
15/264

7,497,340 B2 * 3/2009 Hershberger A61M 1/0056
210/130

8,317,035 B2 * 11/2012 Elkins G21C 3/3206
210/335

D681,678 S * 5/2013 Portillo D15/5

D737,945 S * 9/2015 Leatzow D23/365

2002/0008063 A1 * 1/2002 Zuk, Jr. A61M 1/3633
210/435

* cited by examiner

Primary Examiner — Susan Bennett Hattan
Assistant Examiner — Rebecca Tsehaye
 (74) *Attorney, Agent, or Firm* — Michael J. Feigin, Esq.;
 Feigin and Fridman LLC

(57) **CLAIM**

The ornamental design for the laboratory filter, as shown and described.

(56) **References Cited**

U.S. PATENT DOCUMENTS

2,187,187 A * 1/1940 Weinberger A47J 31/0621
99/299

3,747,769 A * 7/1973 Brumfield B01D 29/05
210/350

D263,078 S 2/1982 Eddleman

4,317,726 A * 3/1982 Shepel B01D 29/05
210/236

4,368,123 A 1/1983 Stanley

4,385,988 A 5/1983 Hypponen

D285,487 S 9/1986 Tjernagel

4,711,161 A 12/1987 Swin, Sr.

D324,720 S 3/1992 Kopf

D325,070 S 3/1992 Kopf

D326,706 S 6/1992 Karlsson

D327,313 S 6/1992 Kopf

5,119,830 A * 6/1992 Davis B01L 3/502
422/568

DESCRIPTION

FIG. 1 shows a top and side perspective view of the laboratory filter.

FIG. 2 shows a bottom and reverse side perspective view thereof.

FIG. 3 shows a side elevation view thereof.

FIG. 4 shows a reverse side elevation view thereof.

FIG. 5 shows a third side elevation view thereof.

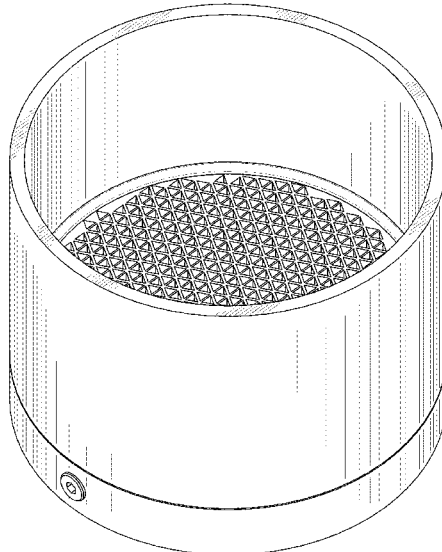
FIG. 6 shows a fourth side elevation view thereof.

FIG. 7 shows a top plan view thereof.

FIG. 8 shows a bottom plan view thereof; and,

FIG. 9 shows a cutaway view of FIG. 6 in order to show depth of an interior disc shown in FIGS. 1 and 3.

1 Claim, 9 Drawing Sheets



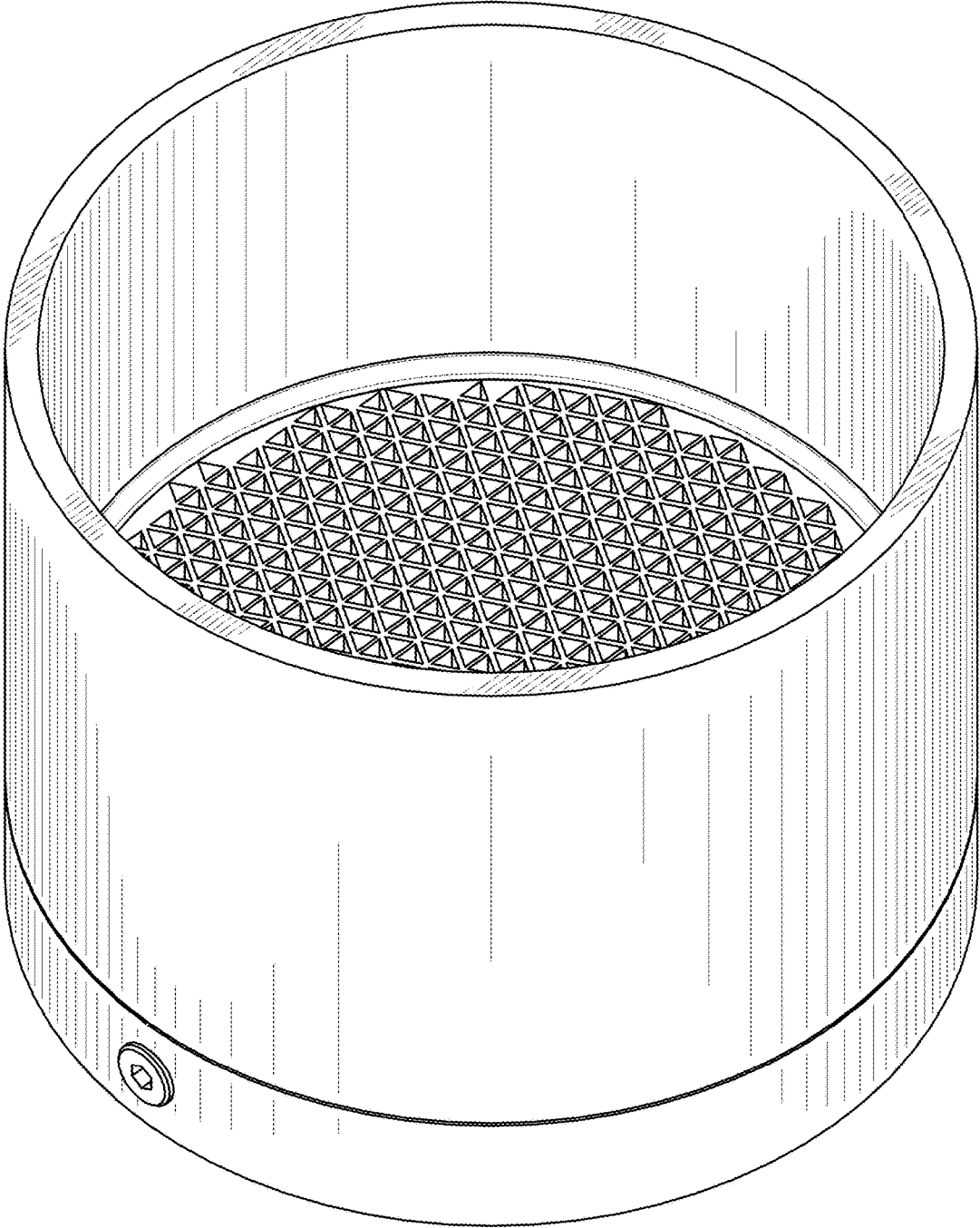


FIG. 1

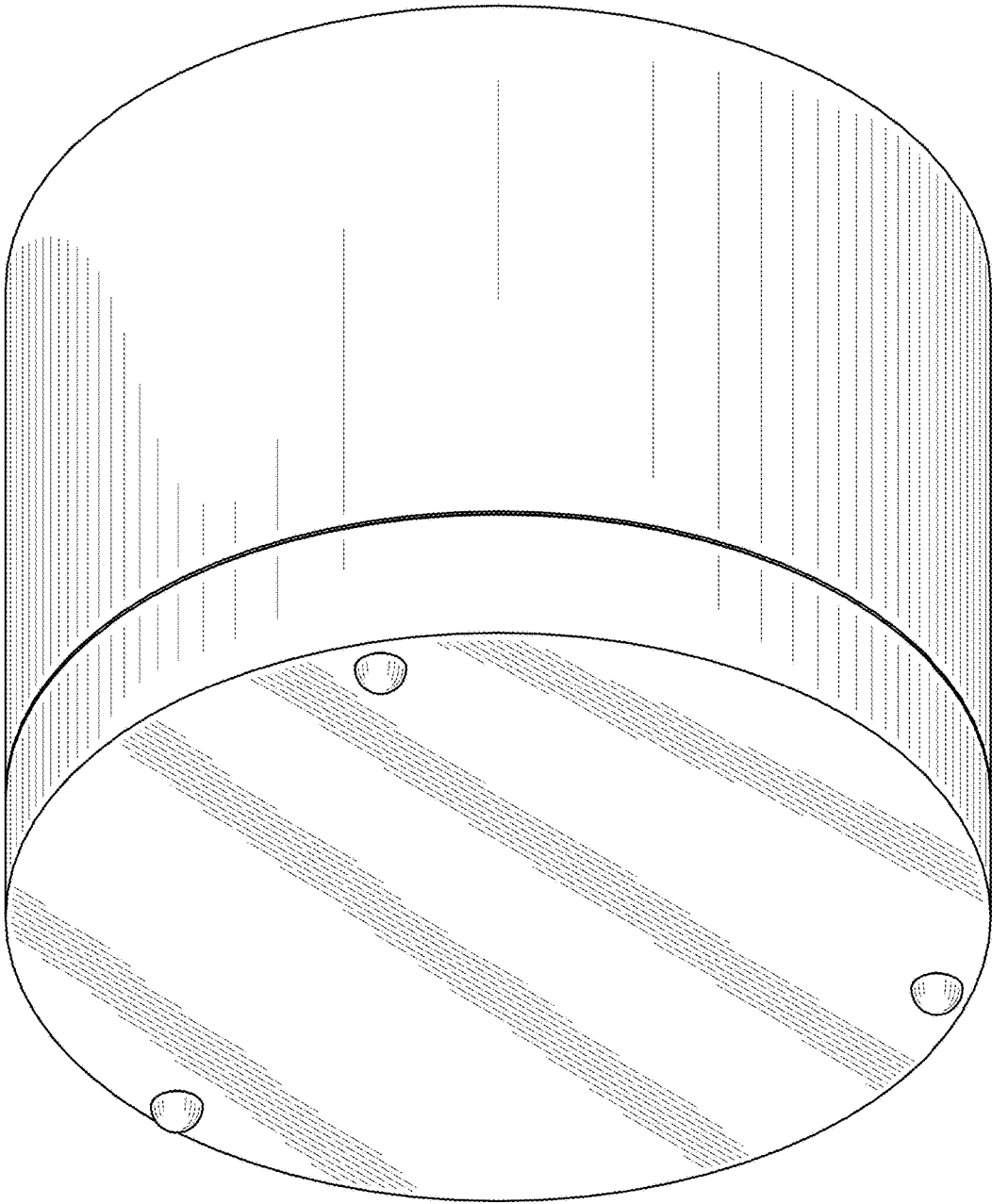


FIG. 2

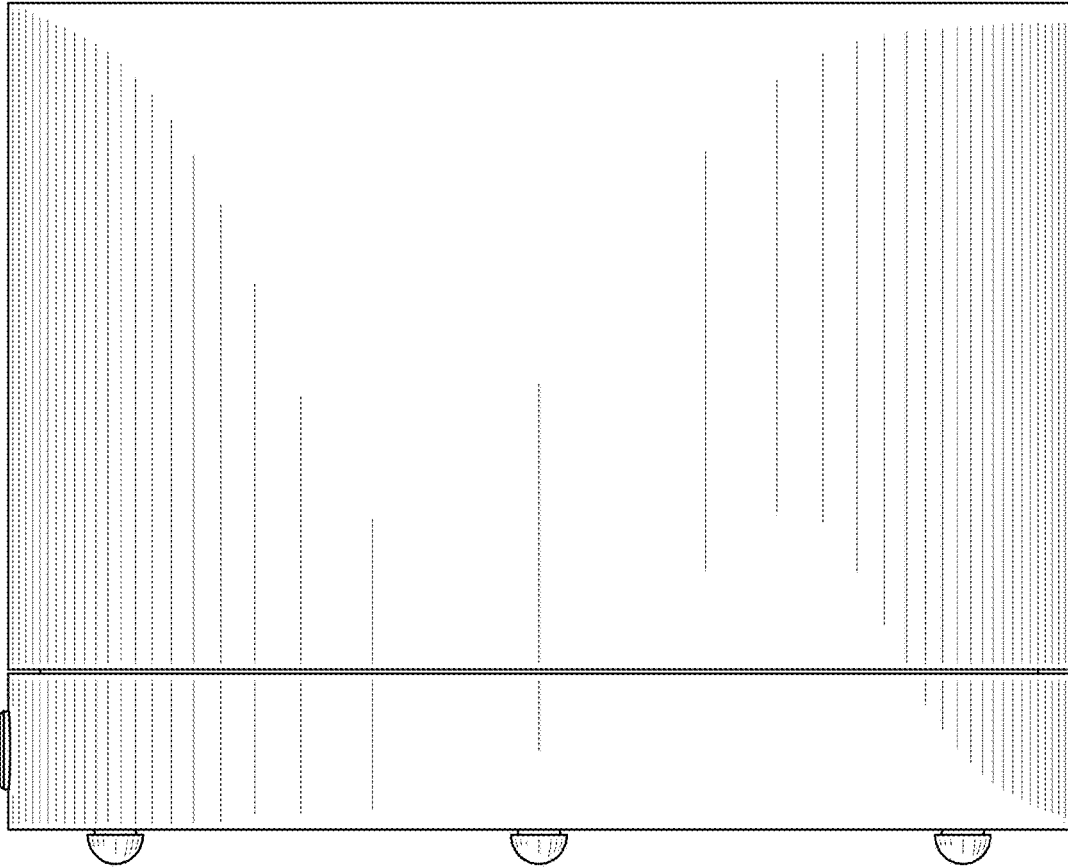


FIG. 3

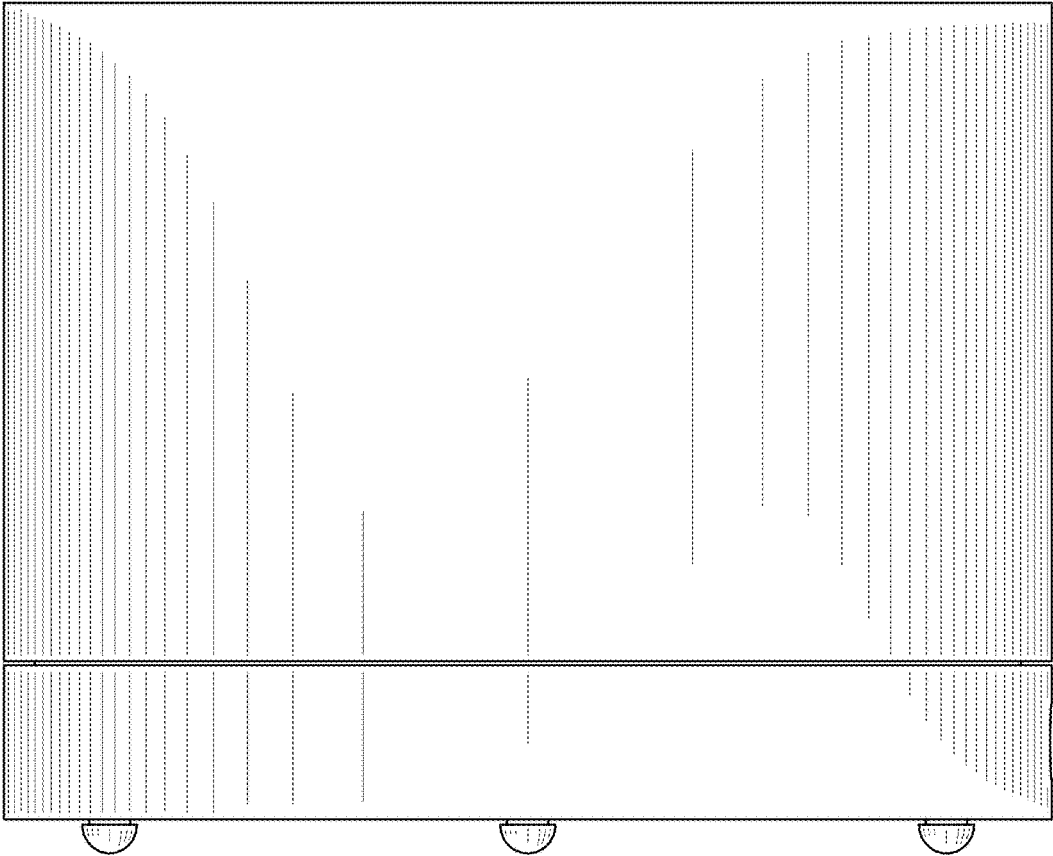


FIG. 4

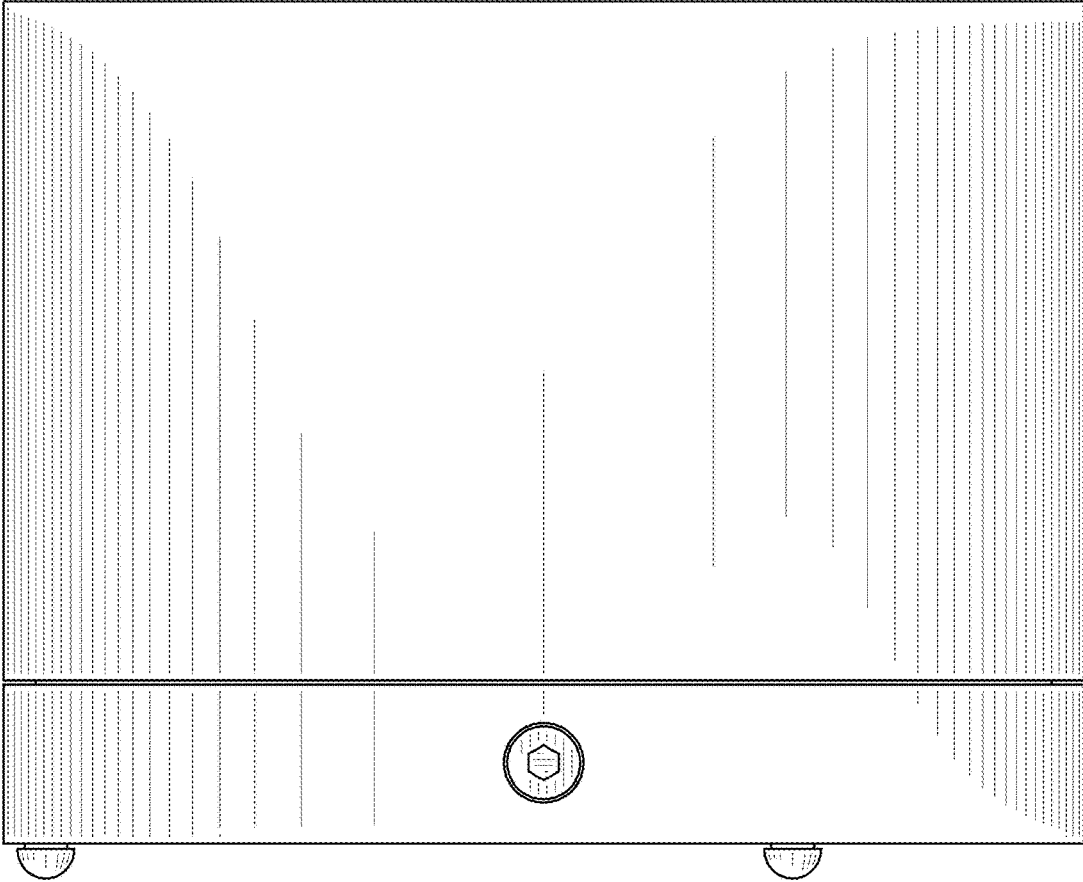


FIG. 5

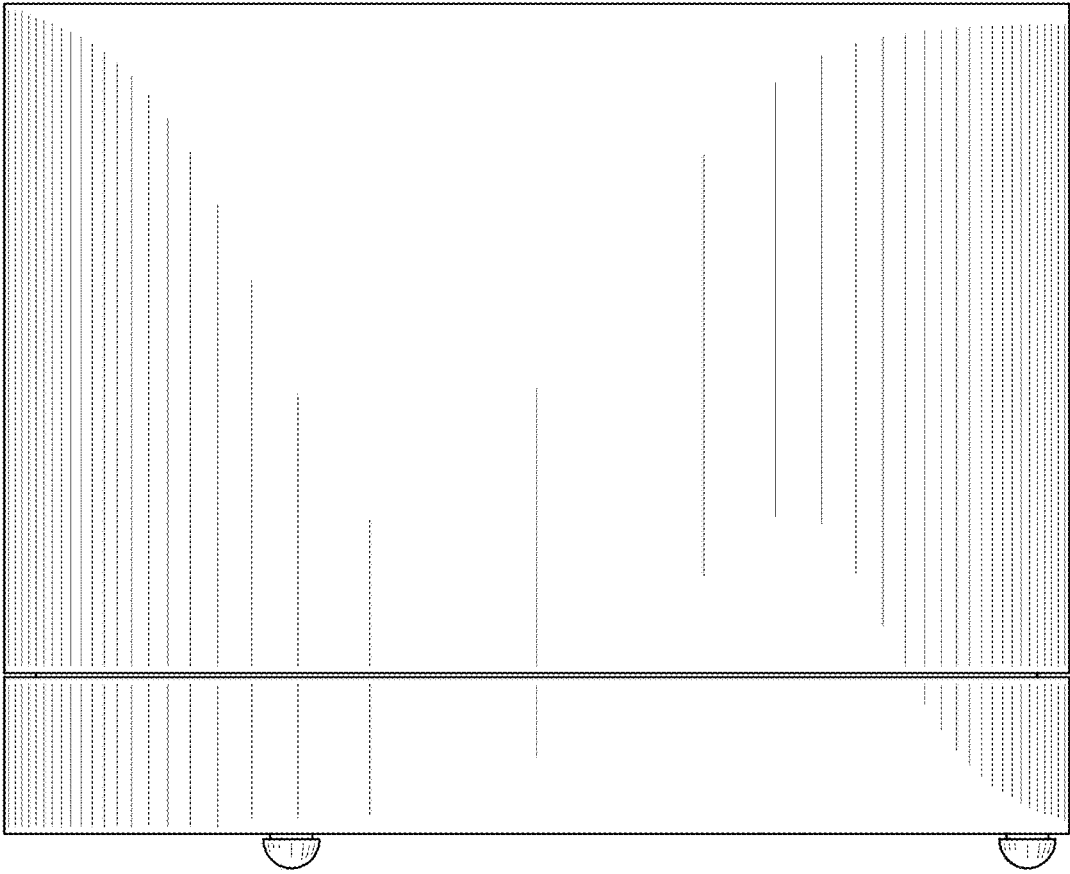


FIG. 6

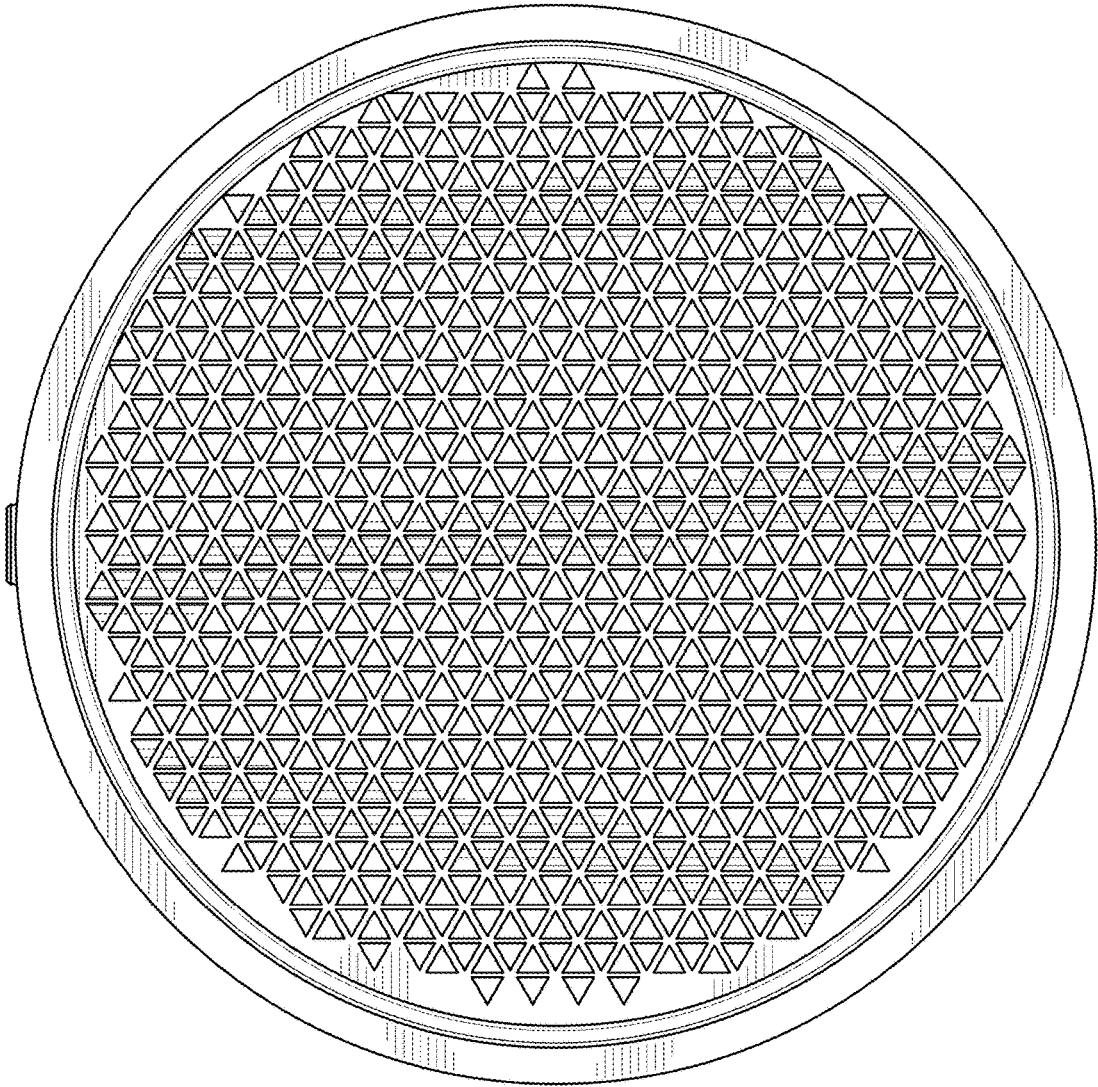


FIG. 7

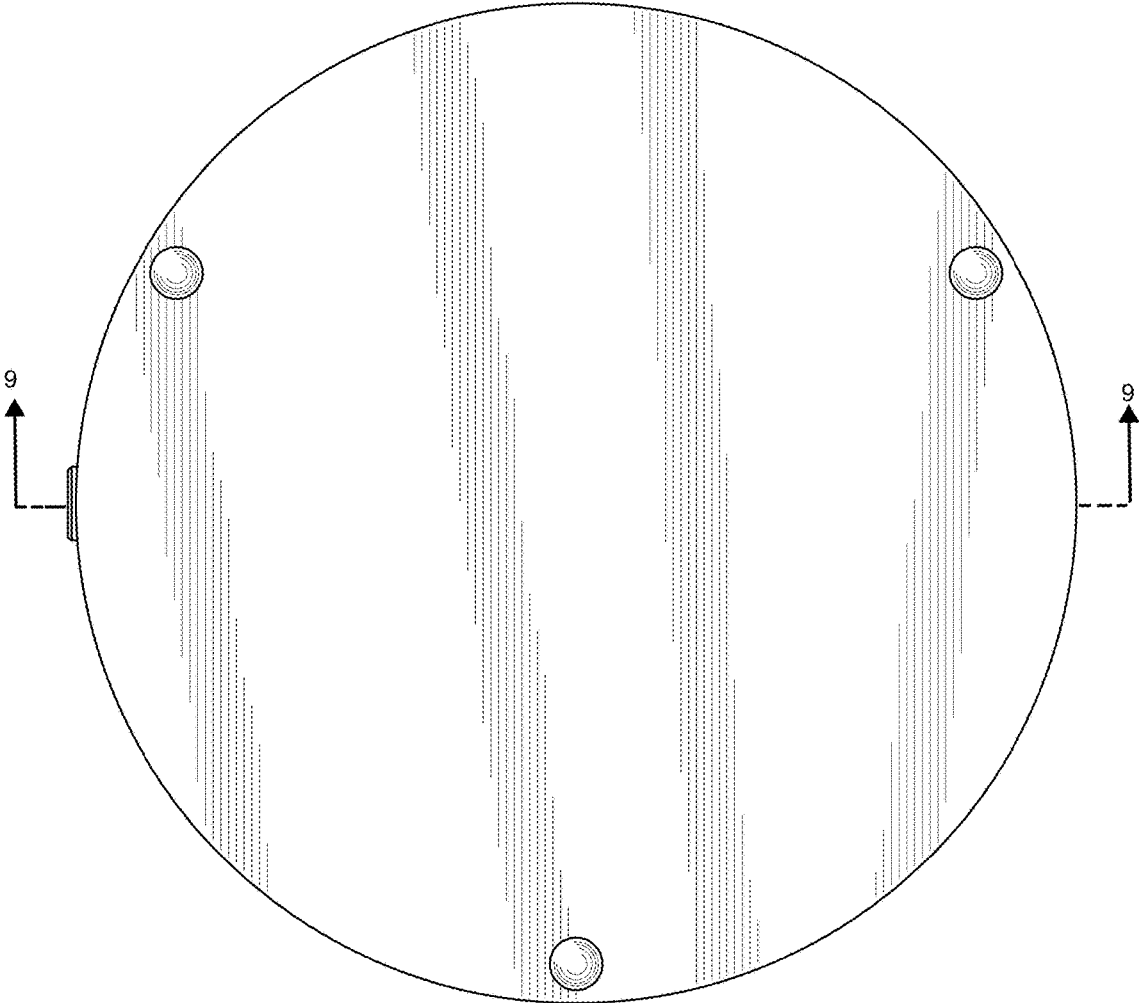


FIG. 8

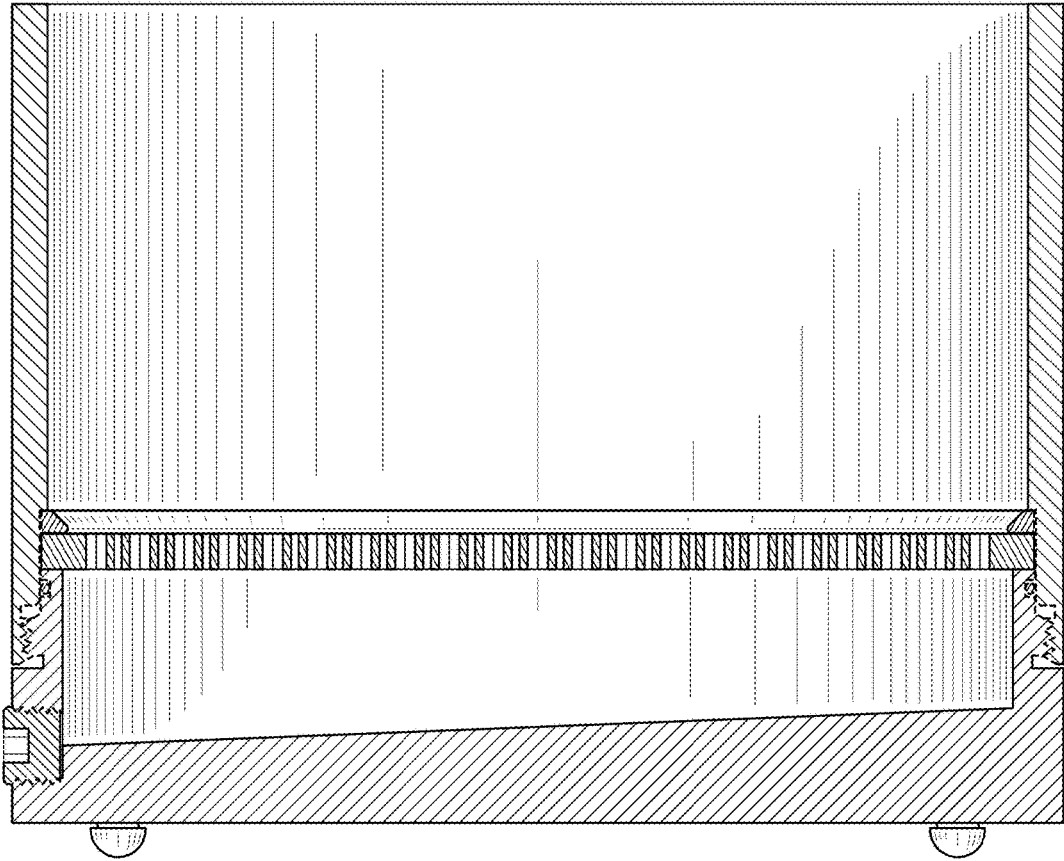


FIG. 9