



US00D790033S

(12) **United States Design Patent**
Kremerman

(10) **Patent No.:** **US D790,033 S**

(45) **Date of Patent:** **** Jun. 20, 2017**

(54) **DISTILLATION KEY**

(71) Applicant: **Elliot Kremerman**, Scotts Valley, CA
(US)

(72) Inventor: **Elliot Kremerman**, Scotts Valley, CA
(US)

(**) Term: **15 Years**

(21) Appl. No.: **29/589,345**

(22) Filed: **Dec. 30, 2016**

(51) **LOC (10) Cl.** **23-01**

(52) **U.S. Cl.**
USPC **D23/207**

(58) **Field of Classification Search**
USPC D23/207, 209, 213; 202/83, 255, 257,
202/270; 203/81; D9/439, 544
CPC B01D 3/04; B01D 3/008; B01D 5/0051;
B01D 3/143
See application file for complete search history.

(56) **References Cited**

U.S. PATENT DOCUMENTS

D9,683 S *	12/1876	Steele	D9/439
D23,176 S *	4/1894	Tatum	D9/439
4,065,261 A	12/1977	Fukada		
D248,133 S	6/1978	Shames		
D248,134 S	6/1978	Shames		
4,316,294 A	2/1982	Baldwin		
4,346,059 A	8/1982	Spector		
4,349,042 A	9/1982	Shimizu		
4,370,543 A	1/1983	Nemeth		
4,597,404 A	7/1986	Van Marcke		
4,765,003 A	8/1988	Chang		
D364,917 S	12/1995	Wolf		
D392,371 S	3/1998	Holcombe		
D402,355 S	12/1998	Bahar		
D409,736 S	5/1999	Koehn		

D463,851 S	10/2002	Eastman		
D469,167 S	1/2003	Eastman		
D485,584 S *	1/2004	Lovullo	D21/402
D550,819 S	9/2007	Seehoff		
D597,181 S	7/2009	Jones		
D604,809 S	11/2009	Mannella		
D610,225 S *	2/2010	Swain	D23/209
D631,527 S *	1/2011	Swain	B01D 35/153 D23/209
D673,247 S	12/2012	Eylon		
D680,628 S	4/2013	Houck		
D683,436 S	5/2013	Feliciano		
D690,794 S *	10/2013	Swain	D23/209
D695,066 S	12/2013	Nakajima		
D728,078 S	4/2015	Scott		
D730,493 S	5/2015	Sehl		
D767,712 S *	9/2016	Huda	D23/207

* cited by examiner

Primary Examiner — Robin V Webster
(74) *Attorney, Agent, or Firm* — Michael J. Feigin, Esq.;
Feigin and Fridman

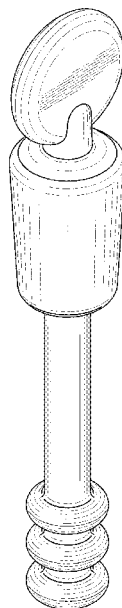
(57) **CLAIM**

The ornamental design for a distillation key, as shown and described.

DESCRIPTION

FIG. 1 shows a bottom and side perspective view of a distillation key.
FIG. 2 shows a top and reverse side perspective view thereof.
FIG. 3 shows a side view, the reverse side being a mirror image thereof.
FIG. 4 shows a front view, the reverse side being a mirror image thereof.
FIG. 5 shows a top plan view thereof; and,
FIG. 6 shows a bottom plan view thereof.

1 Claim, 3 Drawing Sheets



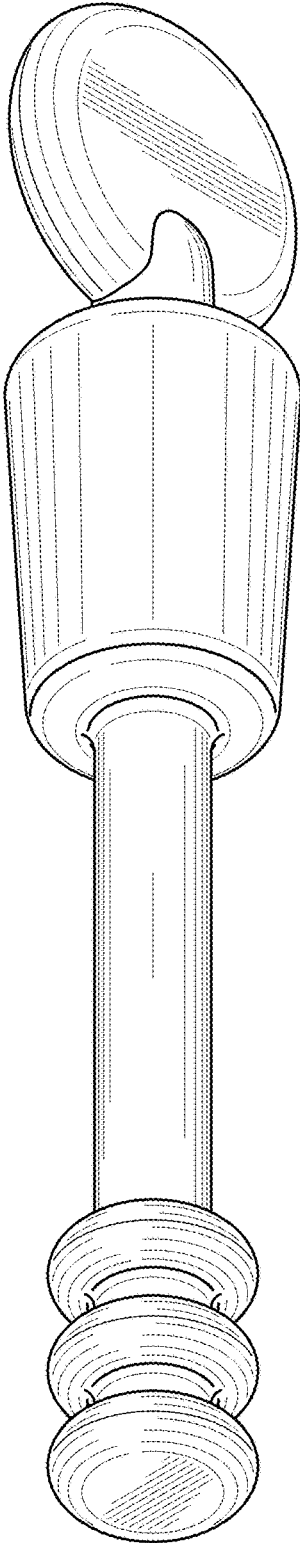


FIG. 1

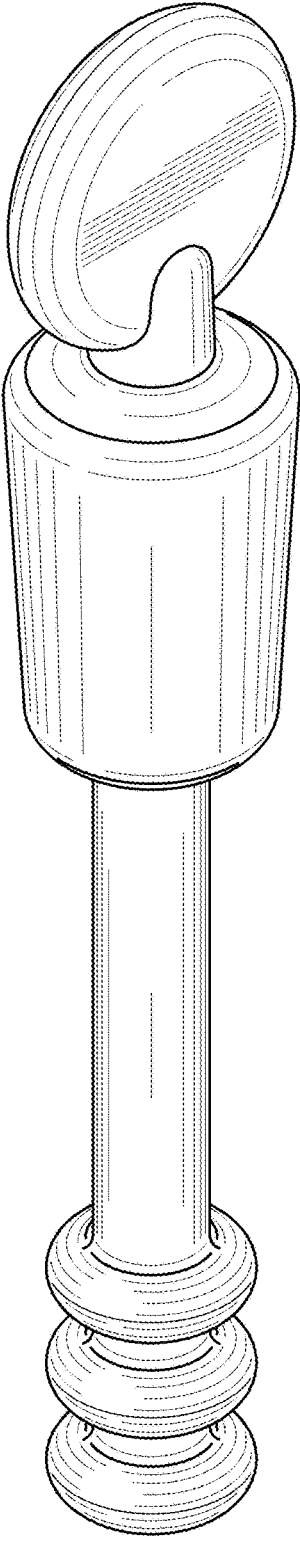


FIG. 2

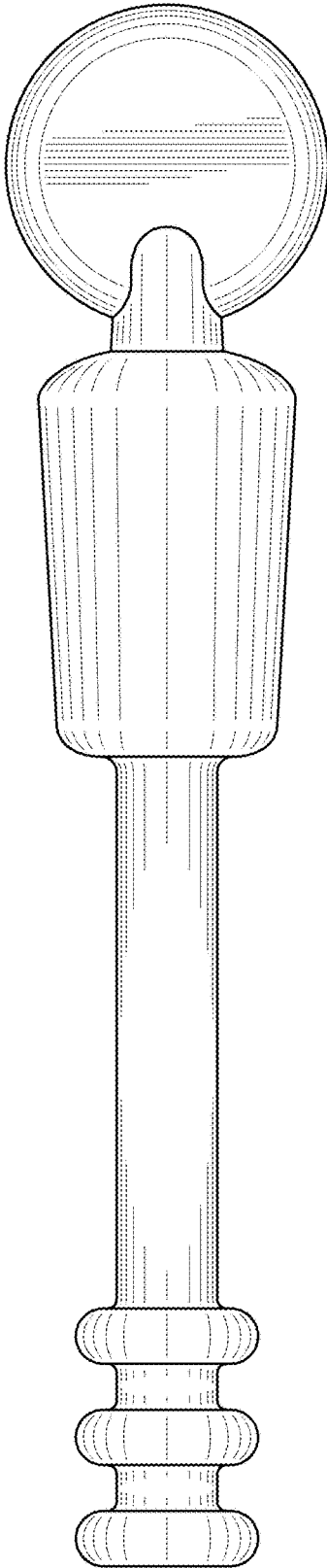


FIG. 3

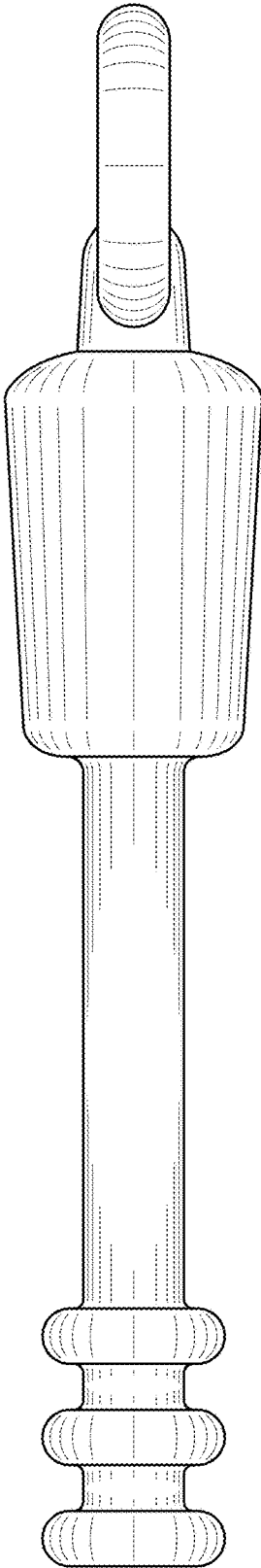


FIG. 4

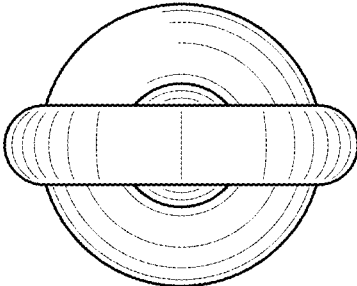


FIG. 5

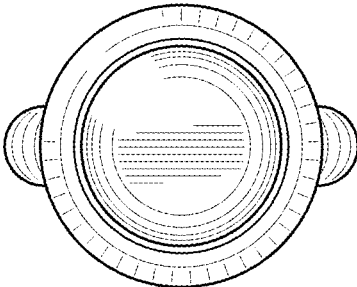


FIG. 6