



(12) **United States Design Patent**
Kremerman

(10) **Patent No.:** **US D805,599 S**
(45) **Date of Patent:** **** Dec. 19, 2017**

- (54) **DISTILLATION CHAMBER**
- (71) Applicant: **Elliot Kremerman**, Scotts Valley, CA (US)
- (72) Inventor: **Elliot Kremerman**, Scotts Valley, CA (US)
- (**) Term: **15 Years**
- (21) Appl. No.: **29/612,760**
- (22) Filed: **Aug. 3, 2017**
- (51) **LOC (10) Cl.** **23-01**
- (52) **U.S. Cl.**
USPC **D23/207**
- (58) **Field of Classification Search**
USPC D23/207, 209; 203/81, 87
CPC B01D 5/0051; B01D 3/04; B01D 3/008;
B01D 3/14; B01D 3/32; B01D 5/006;
B01D 5/009
See application file for complete search history.

4,346,059 A	8/1982	Spector	
4,349,042 A	9/1982	Shimizu	
4,370,543 A	1/1983	Nemeth	
4,597,404 A	7/1986	Van	
4,765,003 A	8/1988	Chang	
4,770,746 A	9/1988	Mayo	
5,354,428 A *	10/1994	Clark	B01D 1/02 159/DIG. 19
D358,448 S *	5/1995	Paoli	D23/200
5,411,707 A *	5/1995	Hiatt	B01D 3/10 422/68.1
D364,917 S	12/1995	Wolf	
D392,371 S	3/1998	Holcombe	
D402,355 S	12/1998	Bahar	

(Continued)

Primary Examiner — Robin V Webster
(74) *Attorney, Agent, or Firm* — Michael J. Feigin, Esq.;
Feigin and Fridman

(57) **CLAIM**
The ornamental design for a distillation chamber, as shown and described.

DESCRIPTION

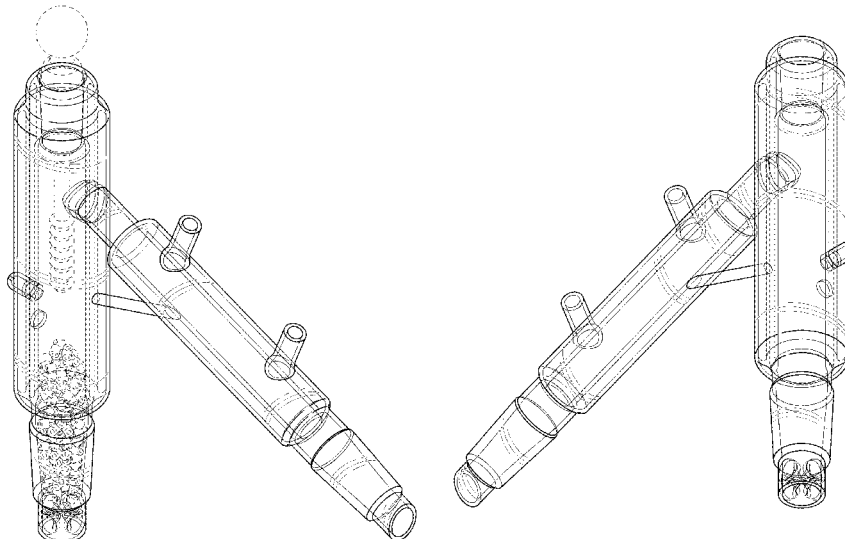
FIG. 1 shows a top and side perspective view of a distillation chamber.
 FIG. 2 shows a bottom and reverse side perspective view thereof.
 FIG. 3 shows a front view, the reverse side being a mirror image thereof.
 FIG. 4 shows a side view thereof.
 FIG. 5 shows a reverse side view thereof.
 FIG. 6 shows a top plan view thereof.
 FIG. 7 shows a bottom plan view thereof; and,
 FIG. 8 shows a cutaway view of the front along section line 8-8 of FIG. 6.
 The broken line showing of inner portions in FIG. 1 is included for the purpose of illustrating and forms no part of the claimed design.

1 Claim, 6 Drawing Sheets

(56) **References Cited**

U.S. PATENT DOCUMENTS

D936,467	10/1909	Maurer	
2,383,377 A	8/1945	Evans	
2,535,856 A	12/1950	Luertzing	
D173,603 S *	12/1954	Atkinson	210/94
2,582,969 A	1/1955	Dinsmore	
2,701,789 A	2/1955	White	
3,020,215 A *	2/1962	Weber	B01D 1/0017 202/197
3,271,935 A *	9/1966	Smith	B01D 5/0006 165/111
3,334,025 A	8/1967	Reid	
3,607,662 A	9/1971	Glover	
4,065,261 A	12/1977	Fukada	
D248,133 S	6/1978	Shames	
D248,134 S	6/1978	Shames	
D248,485 S *	7/1978	Strauss	D23/209
4,316,294 A	2/1982	Baldwin	



(56)

References Cited

U.S. PATENT DOCUMENTS

D409,736	S	5/1999	Koehn	
D432,203	S *	10/2000	Edwards D23/207
D463,851	S	10/2002	Eastman	
D469,167	S	1/2003	Eastman	
6,551,464	B1 *	4/2003	Kimel B01D 3/04 202/153
D550,819	S	9/2007	Sehoff	
D597,181	S	7/2009	Jones	
D604,809	S	11/2009	Mannella	
D634,397	S *	3/2011	Lautzenheiser D23/207
D673,247	S	12/2012	Eylon	
D680,628	S	4/2013	Houck	
D683,436	S	5/2013	Feliciano	
D695,066	S	12/2013	Nakajima	
D728,078	S	4/2015	Scott	
D730,493	S	5/2015	Sehl	
9,138,657	B1 *	9/2015	Wiederin B01D 3/008
D787,630	S *	5/2017	Lipkens D23/207
9,682,331	B2	6/2017	Kremerman	

* cited by examiner

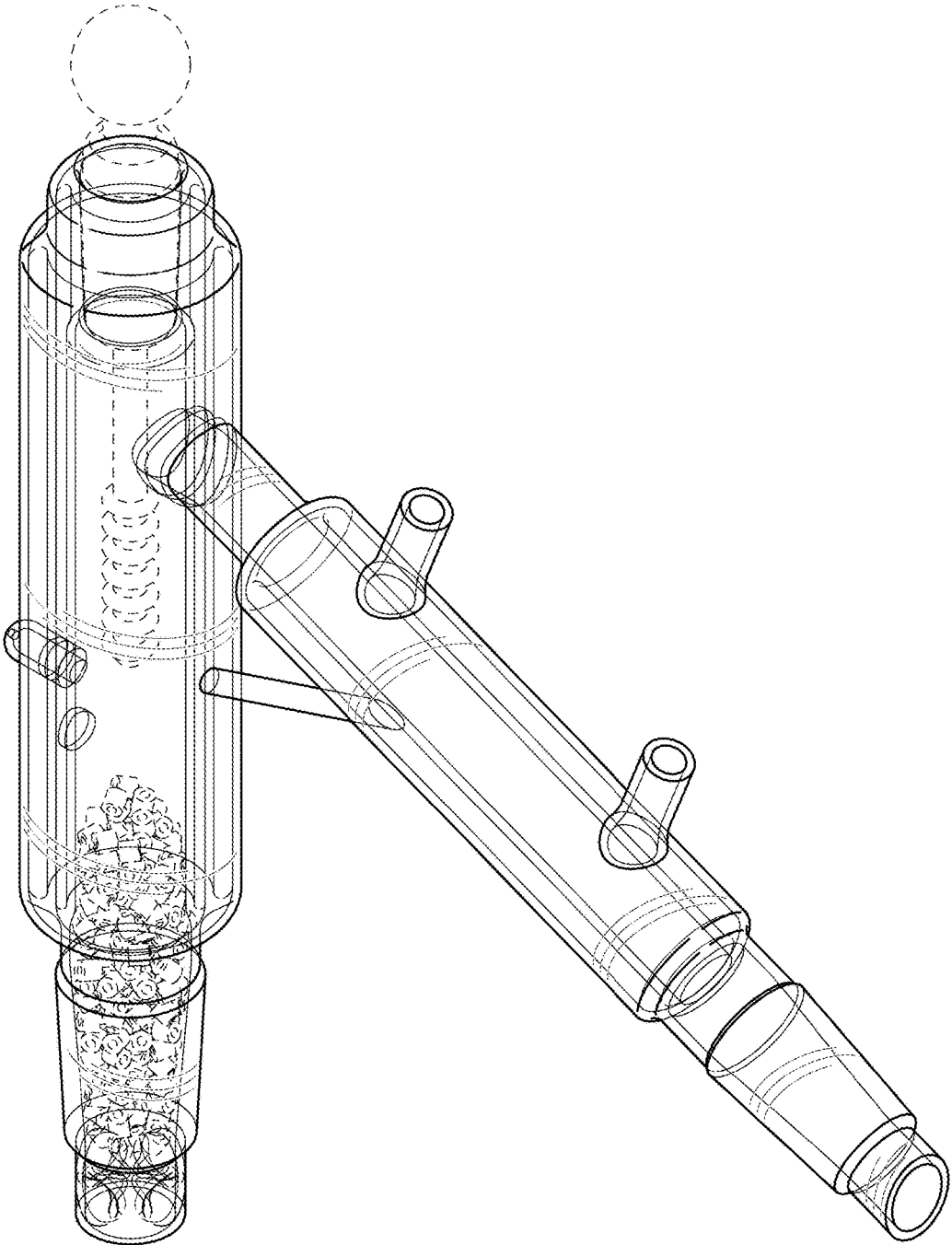


FIG. 1

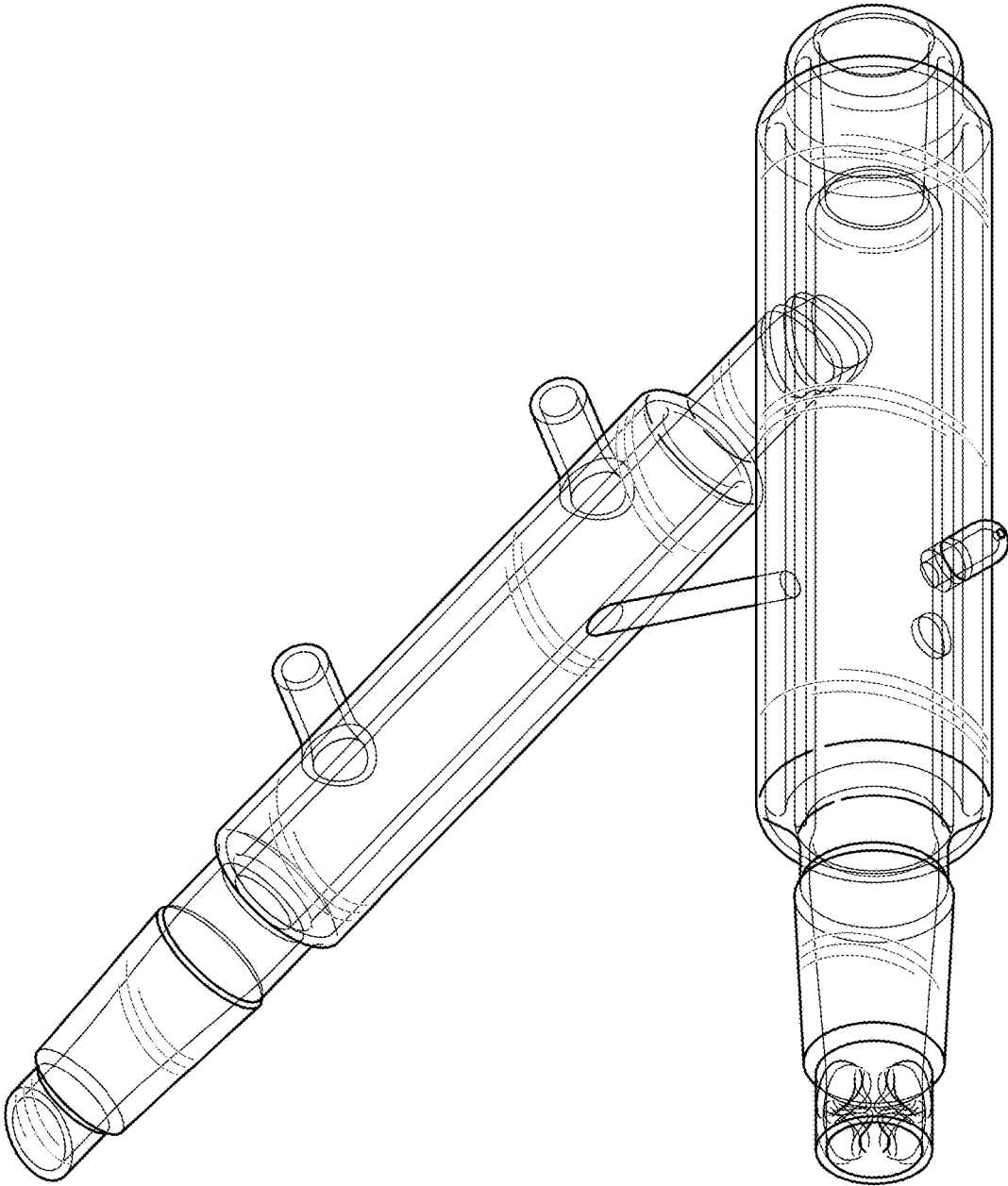


FIG. 2

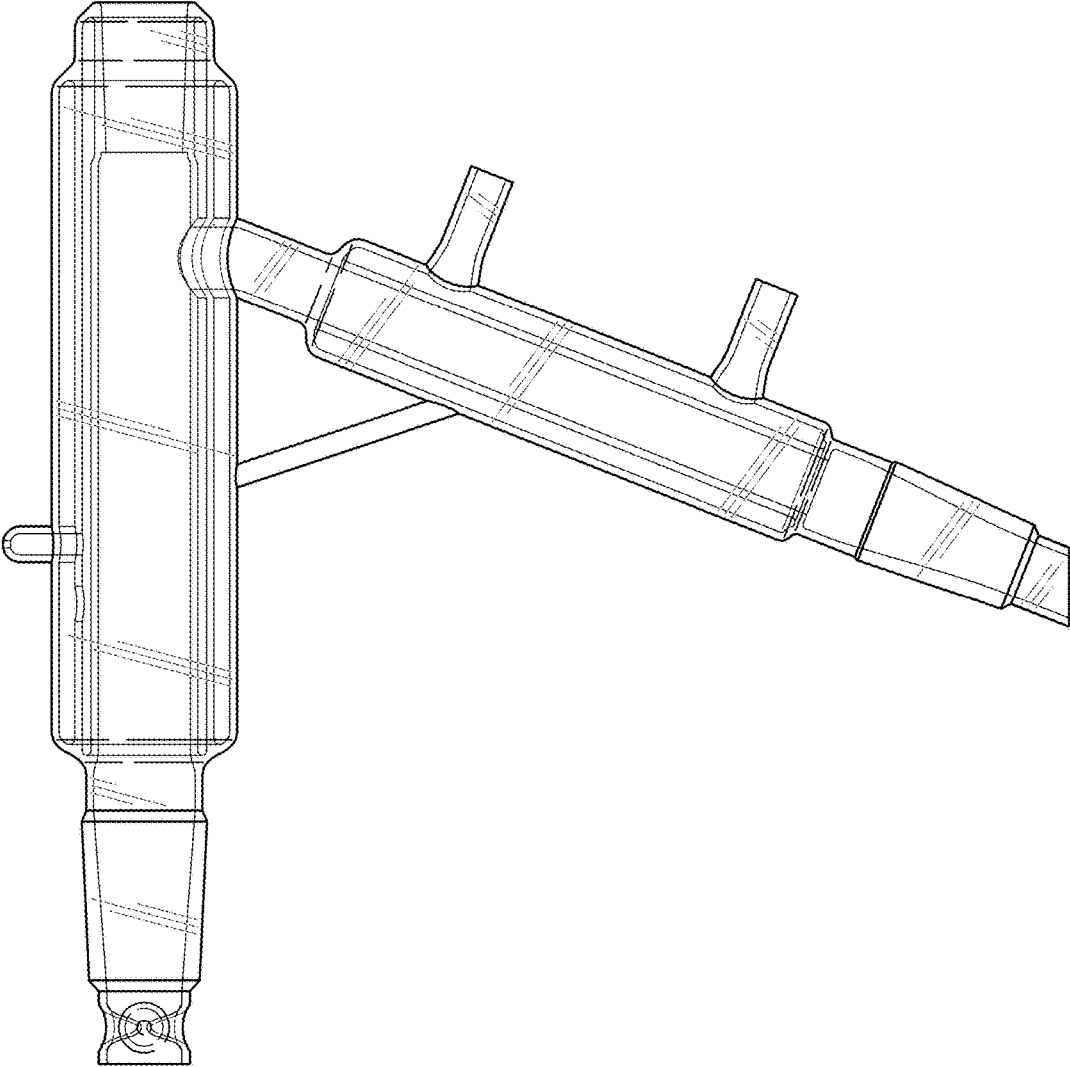


FIG. 3

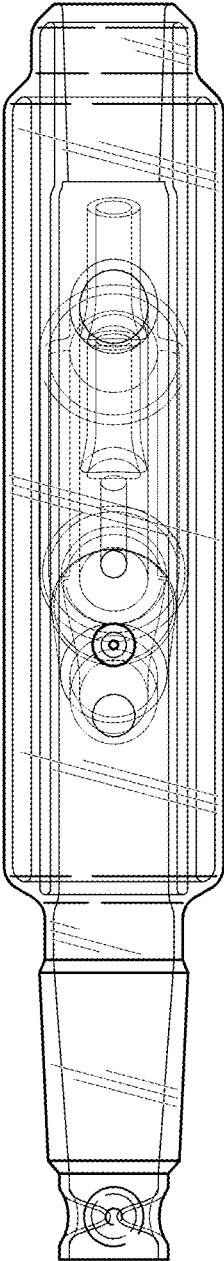


FIG. 4

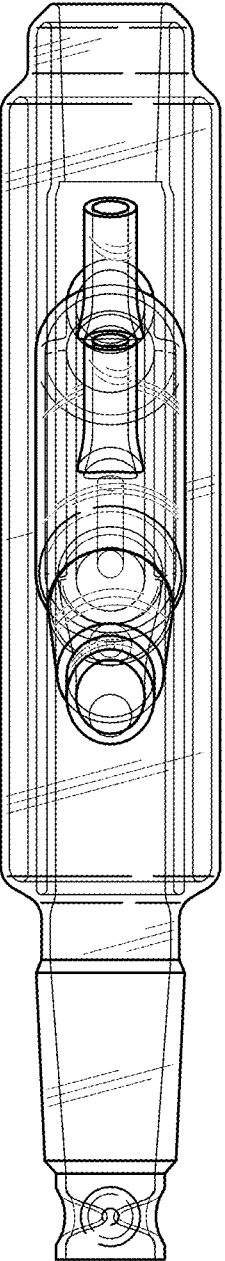


FIG. 5

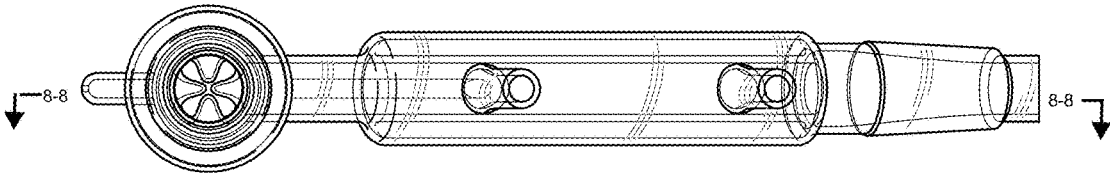


FIG. 6

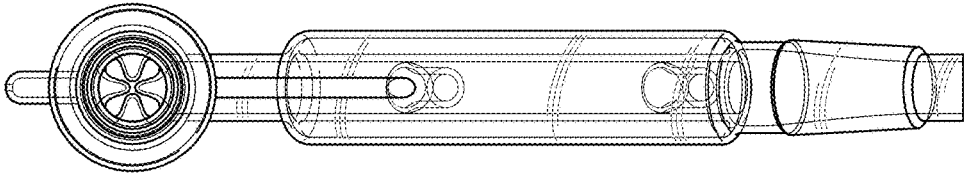


FIG. 7

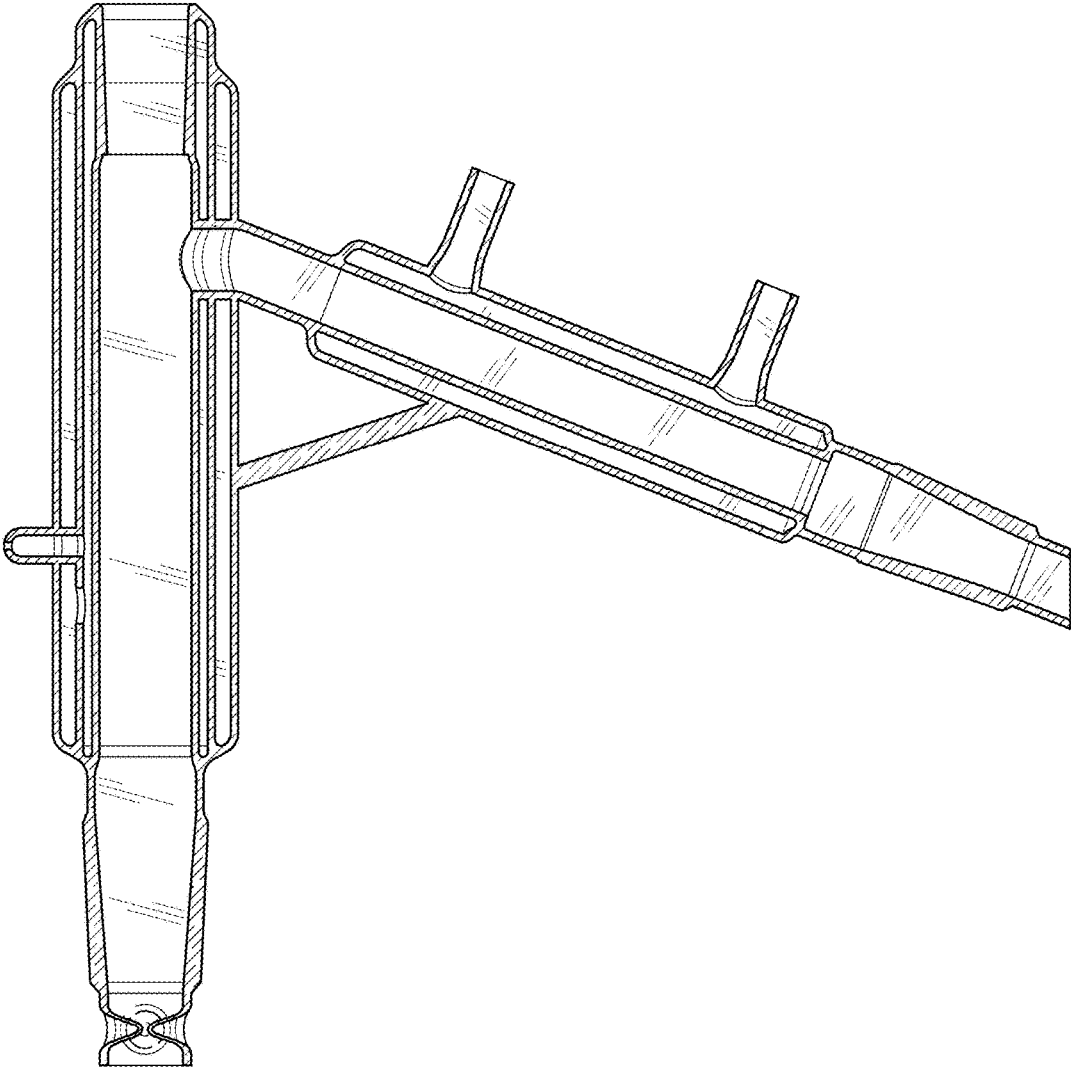


FIG. 8