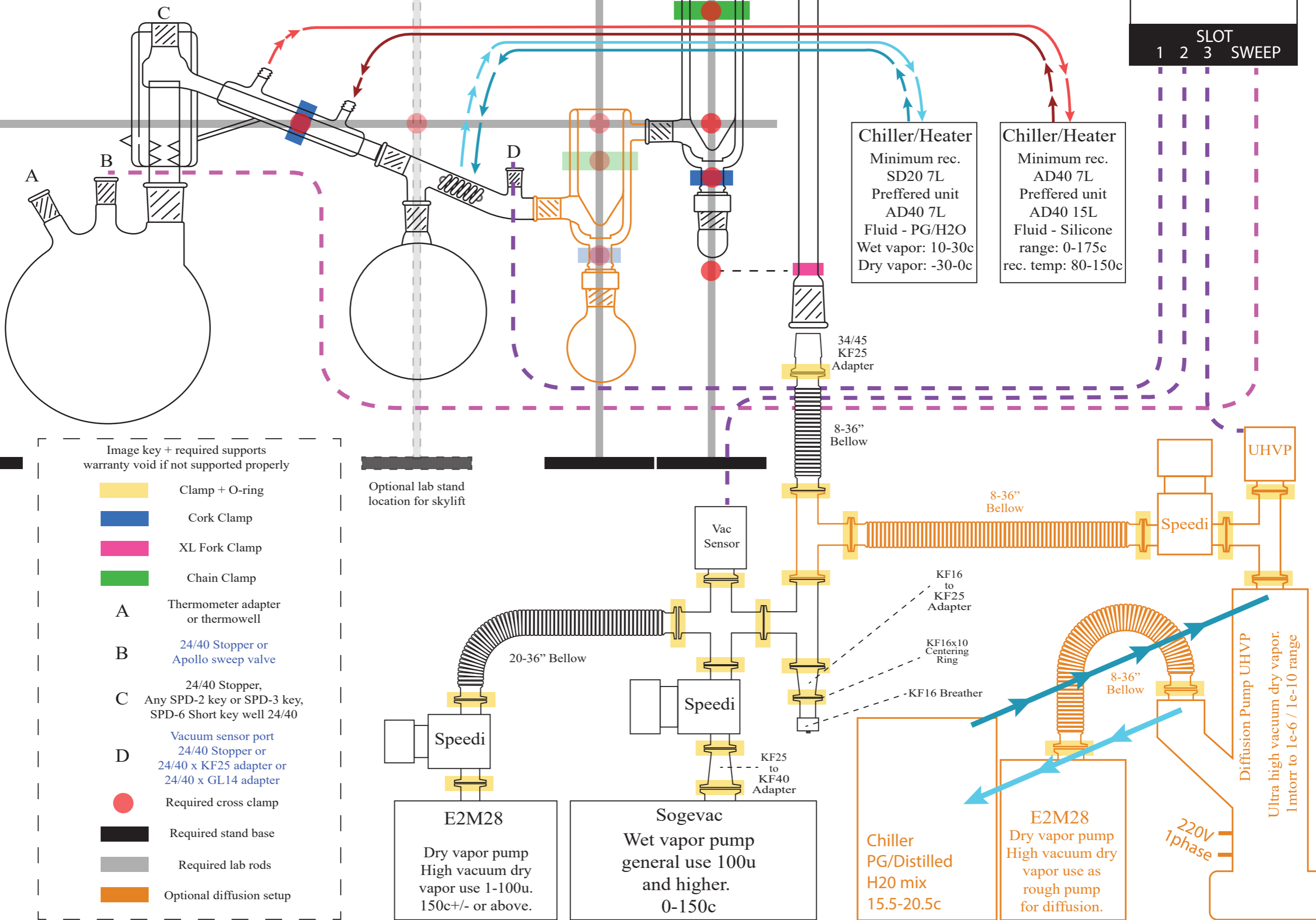


SPD-6 FC45 Series 5 liter Mono/Dual CT-2

E2M28 + Sogevac + Optional Diffusion

APOLLO or SVG-3
Sweep optional
UHVP optional

SLOT			
1	2	3	SWEEP



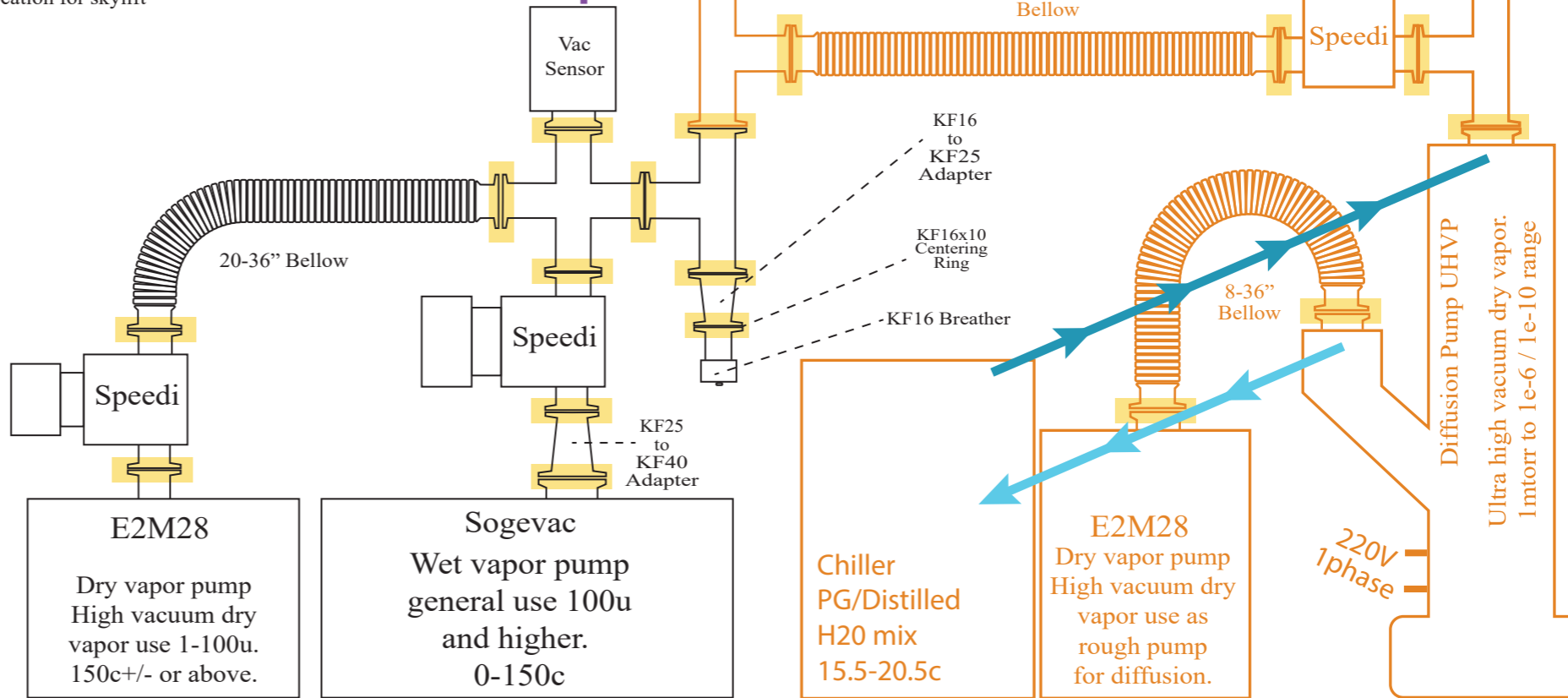
Chiller/Heater
Minimum rec.
SD20 7L
Preferred unit
AD40 7L
Fluid - PG/H2O
Wet vapor: 10-30c
Dry vapor: -30-0c

Chiller/Heater
Minimum rec.
AD40 7L
Preferred unit
AD40 15L
Fluid - Silicone
range: 0-175c
rec. temp: 80-150c

Image key + required supports
warranty void if not supported properly

- Clamp + O-ring
- Cork Clamp
- XL Fork Clamp
- Chain Clamp
- A** Thermometer adapter or thermowell
- B** 24/40 Stopper or Apollo sweep valve
- C** 24/40 Stopper, Any SPD-2 key or SPD-3 key, SPD-6 Short key well 24/40
- D** Vacuum sensor port 24/40 Stopper or 24/40 x KF25 adapter or 24/40 x GL14 adapter
- Required cross clamp
- Required stand base
- Required lab rods
- Optional diffusion setup

Optional lab stand location for skylift



Diffusion Pump UHVP
Ultra high vacuum dry vapor.
1mtorr to 1e-6 / 1e-10 range

220V
1phase