

APOLLO or SVG-3
Sweep optional
UHVP optional

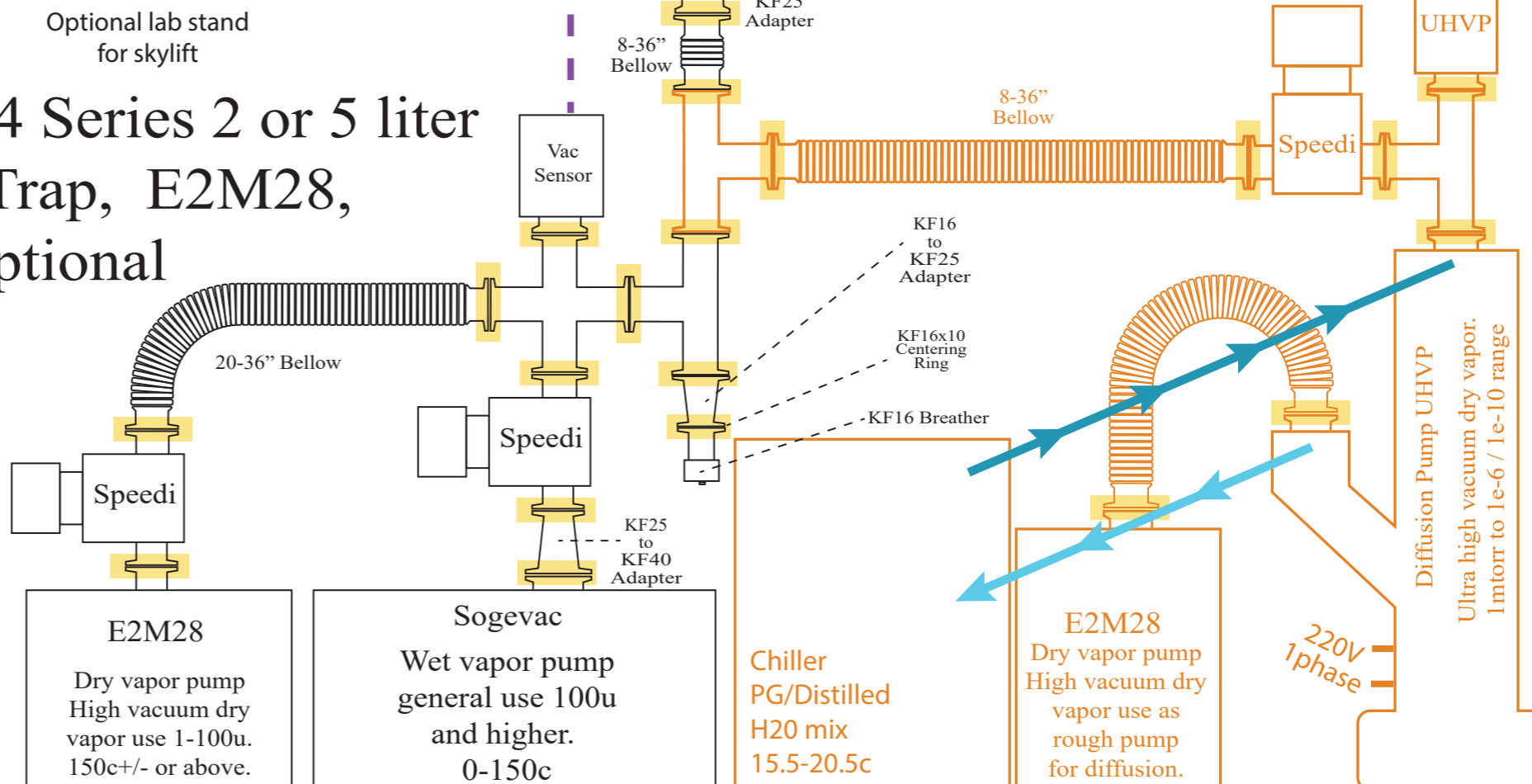
Chiller/Heater
Minimum rec.
SD20 7L
Preferred unit
AD40 7L
Fluid - PG/H2O
Wet vapor: 10-30c
Dry vapor: -30-0c

Chiller/Heater
Minimum rec.
AD40 7L
Preferred unit
AD40 15L
Fluid - Silicone
range: 0-175c
rec. temp: 80-150c

SLOT
1 2 3 SWEEP

- Image key + required supports
warranty void if not supported properly
- Clamp + O-ring
 - Cork Clamp
 - XL Fork Clamp
 - Chain Clamp
 - A** Thermometer adapter or thermowell
 - B** 24/40 Stopper or Apollo sweep valve
 - C** 24/40 Stopper, Any SPD-2 key or SPD-3 key, SPD-6 Short key well 24/40
 - D** Vacuum sensor port 24/40 Stopper or 24/40 x KF25 adapter or 24/40 x GL14 adapter
 - Required cross clamp
 - Required stand base
 - Required lab rods
 - Optional diffusion setup

SPD-2 FC34 Series 2 or 5 liter CT-2 Cold Trap, E2M28, Sogevac. Optional Diffusion.



E2M28
Dry vapor pump
High vacuum dry
vapor use 1-100u.
150c+/- or above.

Sogevac
Wet vapor pump
general use 100u
and higher.
0-150c

Chiller
PG/Distilled
H2O mix
15.5-20.5c

E2M28
Dry vapor pump
High vacuum dry
vapor use as
rough pump
for diffusion.

220V
1phase

Diffusion Pump UHVP
Ultra high vacuum dry vapor.
1mtorr to 1e-6 / 1e-10 range

Optional lab stand
for skylift

34/45
KF25
Adapter
8-36"
Bellow

8-36"
Bellow

Vac
Sensor

KF16
to
KF25
Adapter

KF16x10
Centering
Ring

-KF16
Breather

Speedi

KF25
to
KF40
Adapter

20-36"
Bellow

Speedi

Speedi
UHVP