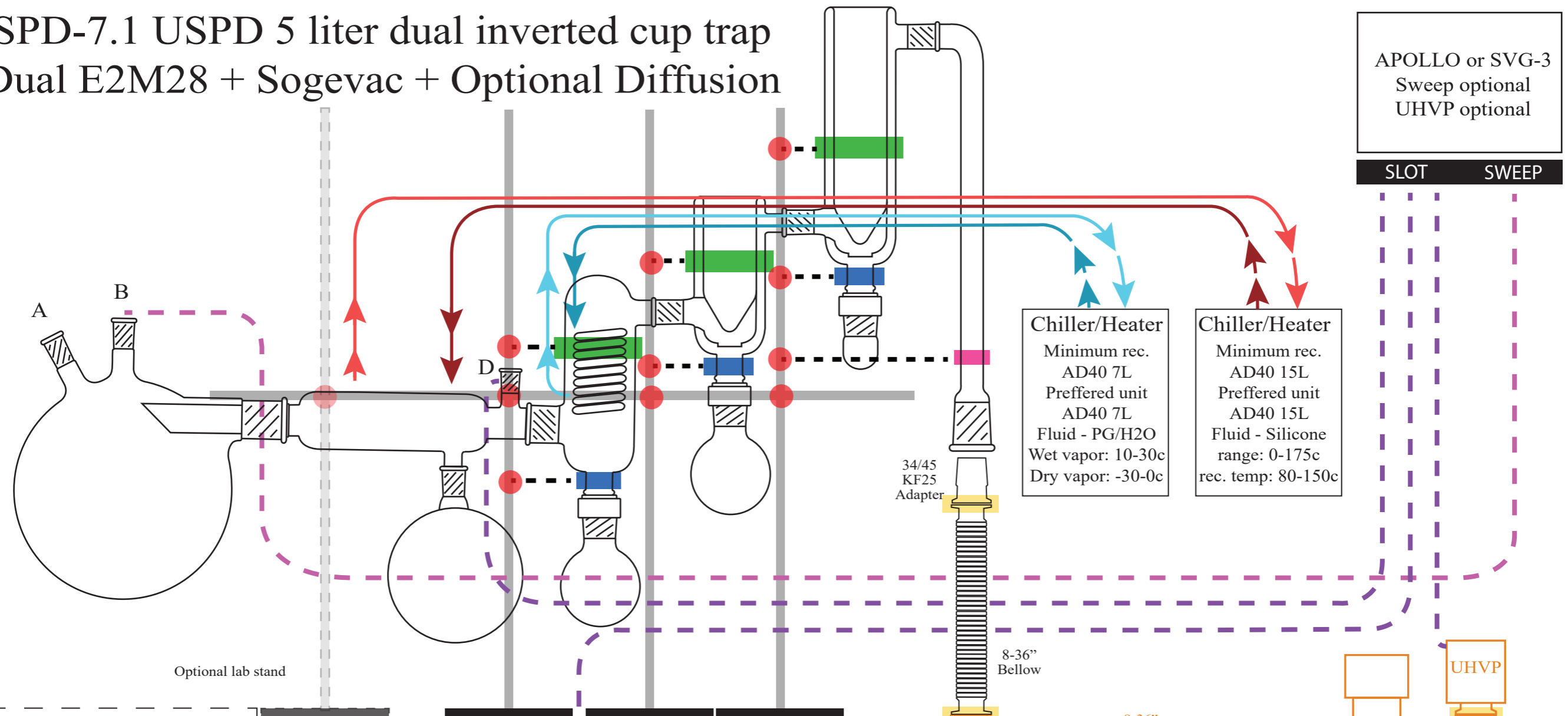


SPD-7.1 USPD 5 liter dual inverted cup trap

Dual E2M28 + Sogevac + Optional Diffusion

APOLLO or SVG-3
Sweep optional
UHVP optional



Chiller/Heater
Minimum rec. AD40 7L
Preferred unit AD40 7L
Fluid - PG/H2O
Wet vapor: 10-30c
Dry vapor: -30-0c

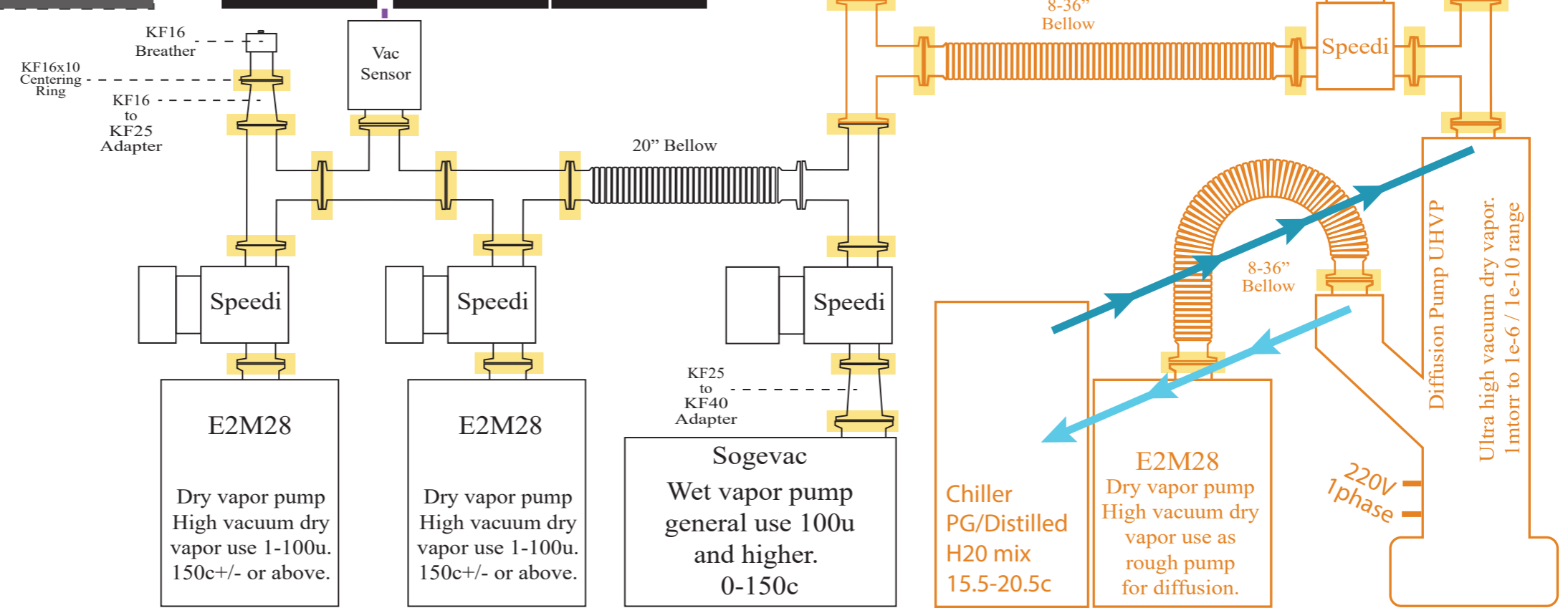
Chiller/Heater
Minimum rec. AD40 15L
Preferred unit AD40 15L
Fluid - Silicone
range: 0-175c
rec. temp: 80-150c

SLOT SWEEP

Optional lab stand

Image key + required supports
warranty void if not supported properly

- Clamp + O-ring
- Cork Clamp
- XL Fork Clamp
- Chain Clamp
- A Thermometer adapter or thermowell
- B 24/40 Stopper or Apollo sweep valve
- D Vacuum sensor port 24/40 Stopper or 24/40 x KF25 adapter or 24/40 x GL14 adapter
- Required cross clamp
- Required stand base
- Required lab rods
- Optional diffusion setup



KF16 Breather
KF16x10 Centering Ring
KF16 to KF25 Adapter

20" Bellow

KF25 to KF40 Adapter

8-36" Bellow

8-36" Bellow

8-36" Bellow

E2M28
Dry vapor pump
High vacuum dry vapor use 1-100u.
150c+/- or above.

E2M28
Dry vapor pump
High vacuum dry vapor use 1-100u.
150c+/- or above.

Sogevac
Wet vapor pump
general use 100u
and higher.
0-150c

Chiller
PG/Distilled H2O mix
15.5-20.5c

E2M28
Dry vapor pump
High vacuum dry vapor use as rough pump for diffusion.

220V 1phase

Diffusion Pump UHVP
Ultra high vacuum dry vapor.
1mtorr to 1e-6 / 1e-10 range