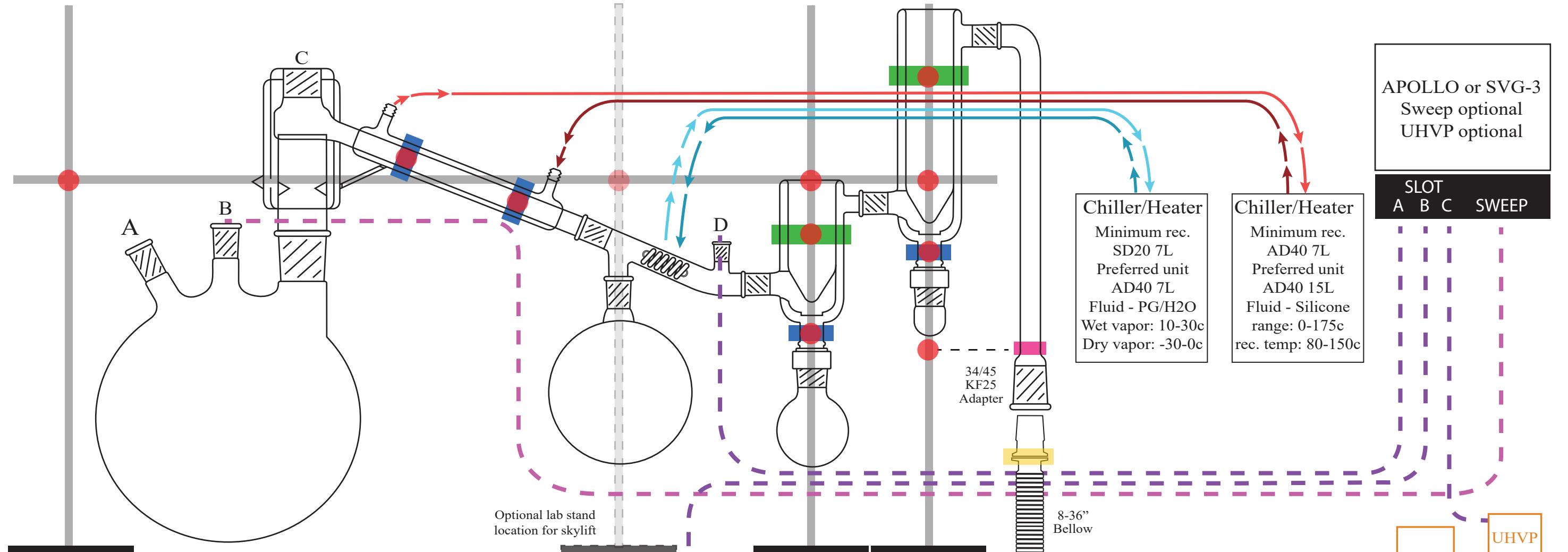


SPD-6 FC55 Series 5/12/22 liter dual inverted cup trap & dual E2M28 + Sogevac + Optional Diffusion



Chiller/Heater
 Minimum rec. SD20 7L
 Preferred unit AD40 7L
 Fluid - PG/H2O
 Wet vapor: 10-30c
 Dry vapor: -30-0c

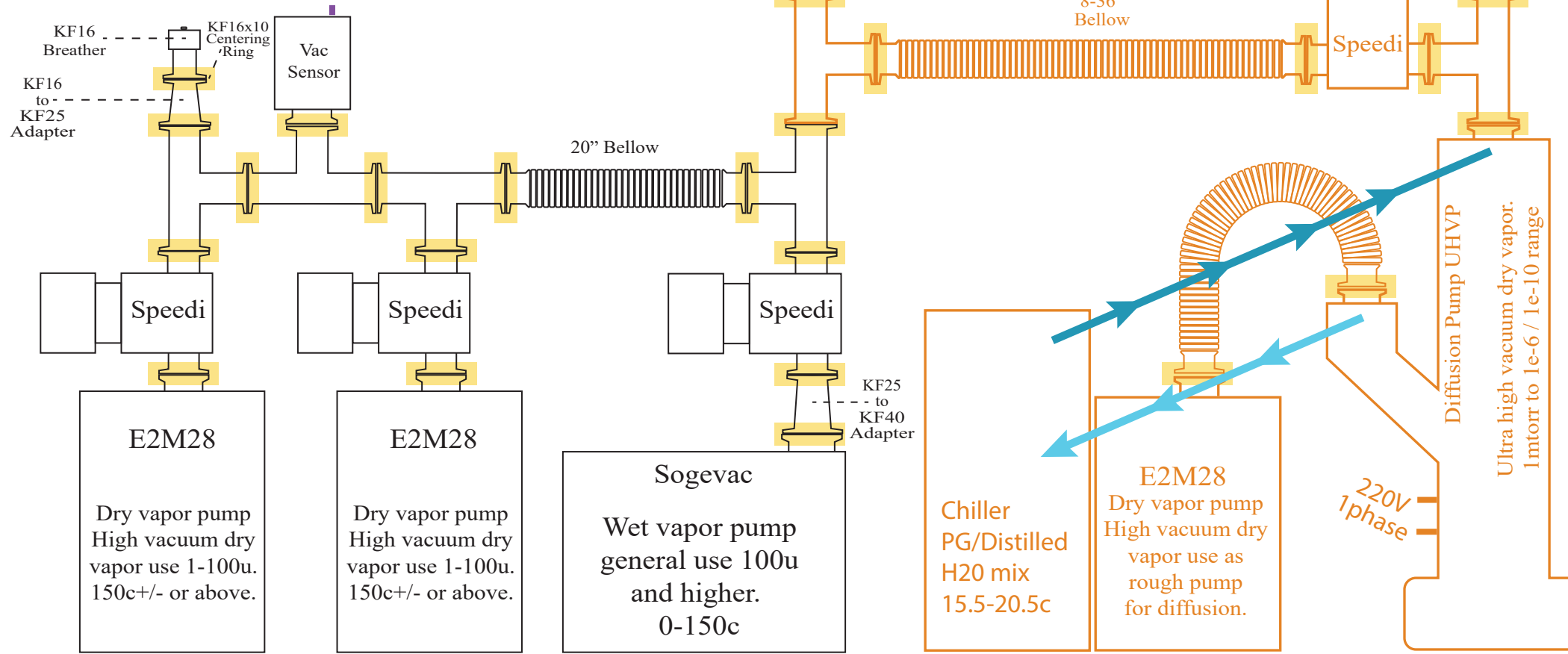
Chiller/Heater
 Minimum rec. AD40 7L
 Preferred unit AD40 15L
 Fluid - Silicone
 range: 0-175c
 rec. temp: 80-150c

APOLLO or SVG-3
 Sweep optional
 UHVP optional

SLOT
 A B C SWEEP

Optional lab stand location for skylift

- Image key + required supports
 warranty void if not supported properly
- Clamp + o-ring
 - Cork Clamp
 - XL Fork Clamp
 - Chain Clamp
 - A Thermometer adapter or thermowell
 - B 24/40 Stopper or Apollo sweep valve
 - C SPD-4 34/45 Stopper well, 34/45 Stopper, SPD-6 34/45 key, SPD-6 34/45 key well
 - D Vacuum sensor port 24/40 Stopper or 24/40 x KF25 adapter or 24/40 x GL14 adapter
 - Required cross clamp
 - Required stand base
 - Required lab rods
 - Optional diffusion setup



E2M28
 Dry vapor pump
 High vacuum dry vapor use 1-100u. 150c+/- or above.

E2M28
 Dry vapor pump
 High vacuum dry vapor use 1-100u. 150c+/- or above.

Sogevac
 Wet vapor pump
 general use 100u and higher. 0-150c

Chiller
 PG/Distilled H2O mix
 15.5-20.5c

E2M28
 Dry vapor pump
 High vacuum dry vapor use as rough pump for diffusion.

220V
 1phase

Diffusion Pump UHVP
 Ultra high vacuum dry vapor. 1mtorr to 1e-6 / 1e-10 range